

# PCD03 High pressure Dew Point Transmitter

## Features

- High accuracy and long-term stability
- Capable of temperature compensation and linear adjustment
- Standard MODBUS RTU protocol, RS-485 communication interface
- More size of connector for different environment to be easily installed
- High pressure, low humidity, dew point Max scaling range – 100 ~ + 60 dp °C
- Free programmable software which can adjust dew point range

## Applications

- Compressed air system / Freezer / Adsorption machine
- Plastic dryer / Industrial drying process
- Paper / Chemical process monitoring



### Notes:

The price doesn't include the display, if you need it, please contact business manager for a separate quote.

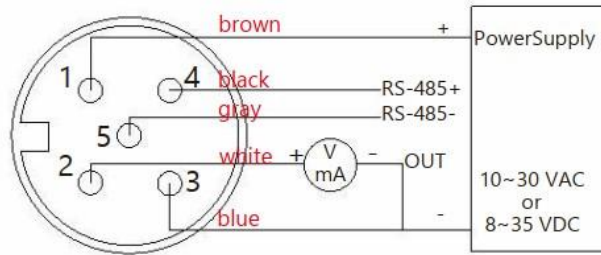
## Performance parameters

DP range	- 60 to +60 dp °C
Output signal	Standard RS-485 & 1 analog output 0-20mA / 4-20 mA / 0-1VDC / 0-5VDC / 0-10VDC
Signal connection	3-wire
Modbus	Standard RS-485 & 1 analog output
Power Supply	8VDC to 35VDC & 10VAC to 30VAC
Linear accuracy	± 2 dp °C ( at + 25 °C ) ± 0.02%FS/°C
Response time	< 20S (temp.at+25°C)
Operating temp. for housing	- 40 ~ + 80 °C
Operating humidity for housing	0 ~ 95 RH %
Operating temp. for probe	- 70 ~ + 80°C
Storage temperature	- 25 ~ + 60 °C
Bearable pressure	16 bar
Current	DC24V, 50 mA
Consumption	M12 connector
Power Supply	8-35 VDC & 10-30 VAC
Protection	Body IP65 ( probe : IP20)
Housing	S.S.( SUS304)
Probe	S.S. ( SUS304 ) / SUS sintered filter ( SUS316 )

Weight 233g

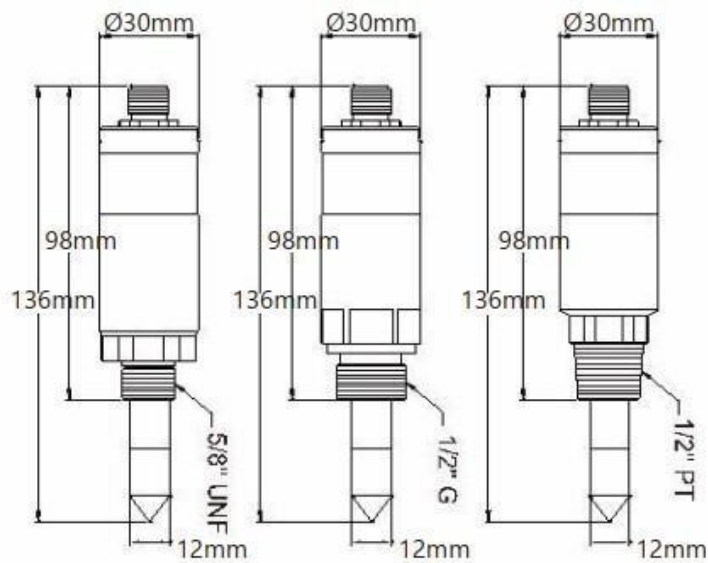
**Wire connection & Dimension**

Wire connection



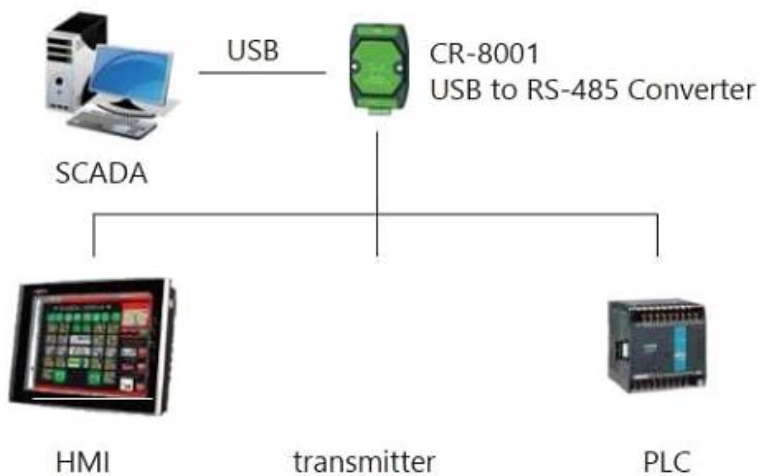
M12 connector

Dimension



※Standard---PVC --5PIN 2M waterproof cable

**USB to Isolated RS485**



※Require Device

1. PC
2. RS-485 to USB Converter
3. Power Supply
4. PCD03 UI Software

How to order					
Type	PCD03	—	C	1	Y
Dew point measuring range	-20 ~ +20 °C	—	A		
	-40 ~ +20 °C	—	B		
	-100 ~ +20 °C	—	C		
Connector	1/2"PT ( R1/2")			1	
	1/2"G			2	
	5/8"UNF			3	
Display					Y N

\* The price doesn't include the display, if you need it, please contact business manager for a separate quote.

## Contact us

Nanjing Wotian Technology Co.,Ltd.

Website: [www.wtsensor.com](http://www.wtsensor.com)

Add: 5 Wenying Road, Binjiang Development Zone, Nanjing, 211161, China

E-mail: [dr@wtsensor.com](mailto:dr@wtsensor.com)