

# PCM330 High Range Pressure Transmitter

## Features

- Measuring diaphragm and pressure interface one-piece structure
- For the thread interface, adopting 7 degrees of taper sealing surface
- Vibration resistance and instantaneous pressure impact resistance
- Can measure the pressure ranges up to 500MPa
- Easy to install

## Applications and industries

- Heavy equipment matching
- High pressure
- High load
- High impact
- Fields with frequent overloads

### Notes:

- 1 Do not misuse documentation.
- 2 Please read the Instruction Manual of the product carefully before installation and check the relevant information of the product.
- 3 Strictly follow the wiring method for wiring, otherwise it may cause product damage or other potential faults.



## Product overview

PCM330 pressure transmitter adopts the high precision foil strain gauge as the sensing element, has a unique integrated elastic structure, good stability and reliability. The signal processing circuit is located in the stainless steel housing, and the circuit is subjected to strict process aging treatment, and has a good linear compensation function at the same time. This product is mainly used for fields with high pressure, super high pressure and great pressure impact.

### Notes:

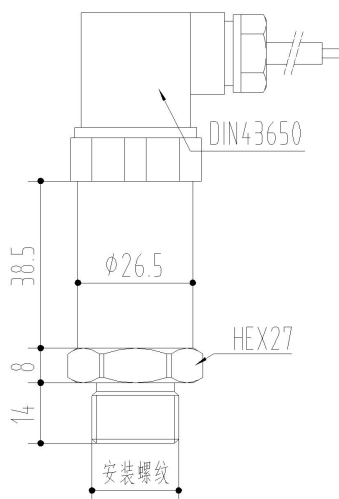
- 1 Do not misuse documentation.
- 2 The information presented in this product sheet is for reference only. Do not use this document as a product installation guide.
- 3 Complete installation, operation, and maintenance information is provided in the instructions of the product.
- 4 Misuse of the product may cause danger or personal injury.

### Performance parameters

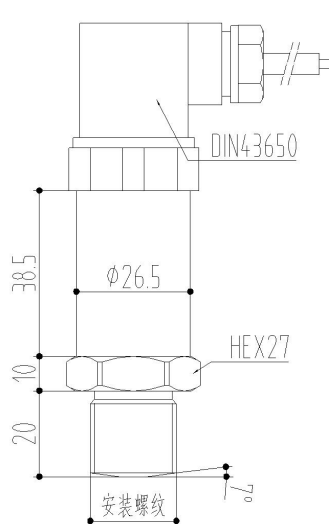
Pressure range	0~40MPa...500MPa
Pressure reference	Gauge pressure
Supply & output	4~20mA (9~30VDC)
Accuracy	0.5%FS, 0.25%FS
Operating temp.	-40°C~85°C and -40°C~120°C options
Compensated temp.	0°C~70°C and -20°C~85°C options
Storage temp.	-40°C~125°C
Zero temp. error	±0.5%FS/10°C
Full span temp. error	±0.5%FS/10°C
Overpressure	1.25X pressure range
Burst pressure	1.5X pressure range
Load capacity	≥[(supply voltage-6.5V)/0.02A]Ω
Mechanical life	≥5000000 pressure cycles
Insulation resistance	≥500MΩ/1000VDC
Long-term stability	±0.15%FS/year

### Appearance structure

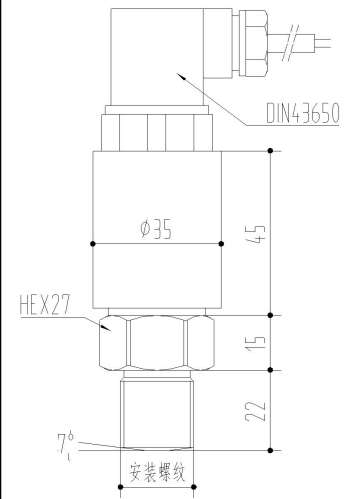
Dimension  
In mm



Pressure range:  
40MPa≤R<100MPa



Pressure range:  
100MPa≤R<350MPa

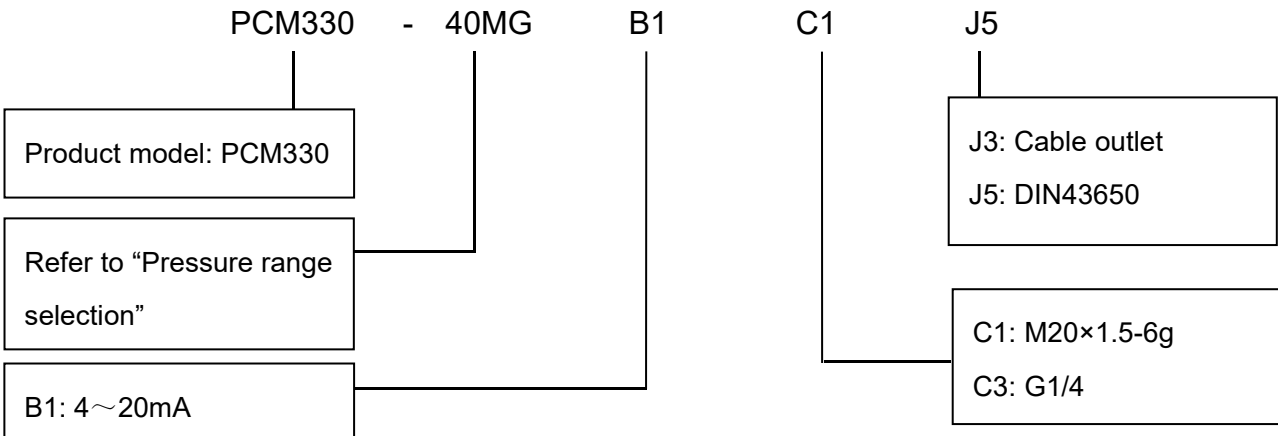


Pressure range:  
350MPa≤R<500MPa

**Pressure range selection**

Pressure range code	Pressure range	Overpressure	Burst pressure	Note
40MG	40MPa Gauge pressure	50MPa	75MPa	
100MG	100MPa Gauge pressure	125MPa	150MPa	
150MG	150MPa Gauge pressure	190MPa	225MPa	
200MG	200MPa Gauge pressure	250MPa	300MPa	
250MG	250MPa Gauge pressure	310MPa	375MPa	
300MG	300MPa Gauge pressure	375MPa	450MPa	
350MG	350MPa Gauge pressure	437MPa	525MPa	
400MG	400MPa Gauge pressure	500MPa	500MPa	
450MG	450MPa Gauge pressure	560MPa	675MPa	
500MG	500MPa Gauge pressure	625MPa	750MPa	

**How to order**



Example: PCM330-40MGB1C1J5

Refer to product model PCM330, pressure range 0~40MPa, power supply 9~30V, output signal 4~20mA, pressure connection M20×1.5-6g, DIN43650 connector.

**Ordering tips**

- (1) Please ensure the compatibility between the measured medium and the contacting part of the product when placing an order.
- (2) If there are special requirements for the product appearance or performance parameter, our company can provide customization.

**Contact us**

Nanjing Wotian Technology Co.,Ltd.

Website: [www.wtsensor.com](http://www.wtsensor.com)

Add: 5 Wenying Road, Binjiang Development Zone, Nanjing, 211161, China

E-mail : [dr@wtsensor.com](mailto:dr@wtsensor.com)