

PC-GSXR002-Seal Connector

Features

- Good sealing performance
- Corrosion resistance
- With the high level of waterproofing grade

Applications

- Connection for currents and signals
- For variation of medical device

Notes:

- 1 Do not misuse documentation.
- 2 The information presented in this product sheet is for reference only. Do not use this document as a product installation guide.
- 3 Complete installation, operation, and maintenance information is provided in the instructions of the product.
- 4 Misuse of the product may cause danger or personal injury.

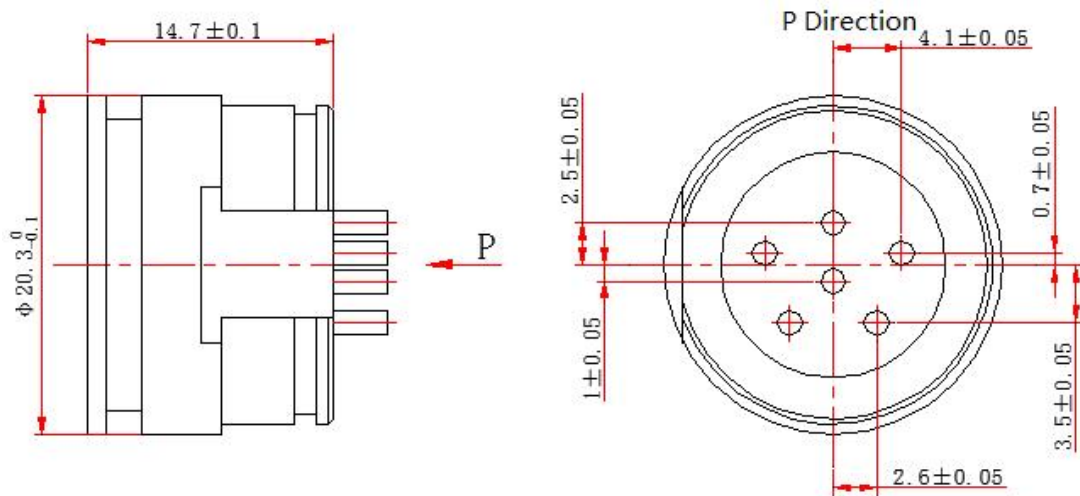


Product overview

Using 304,304L, 316, 316L, 4J50, Kevlar alloy, Hashi alloy and other materials processing, through the glass shell and the pin for packaging, so as to achieve the silver needle and the shell insulation and sealing requirements.

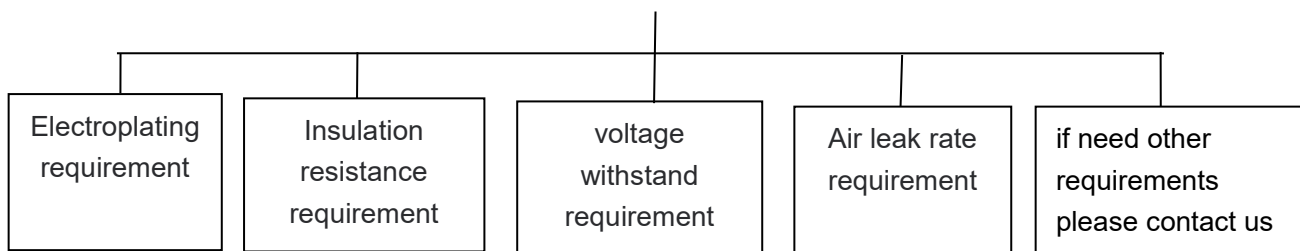
Specification

Material	304,
Insulation resistance	1000MΩ ≥ 500V
Seal	1×10 ⁻¹⁰ Pa.m ³ /s
Operating temperature	-55°C-300°C
Withstand pressure	5 MPa
Pin plating	gold (available)



How to order

PC-GSXR002-Seal Connector



Wotian reserves the right to make changes to any product in this publication without notice. The information we supply is believed to be accurate and reliable as of this printing.

Contact us

Nanjing Wotian Technology Co.,Ltd.

Website: www.wtsensor.com

Add: 5 Wenying Road, Binjiang Development Zone, Nanjing, 211161, China

E-mail: dr@wtsensor.com