

## PC-GSXR001-Seal connector



### Features

- Good sealing performance
- Corrosion resistance

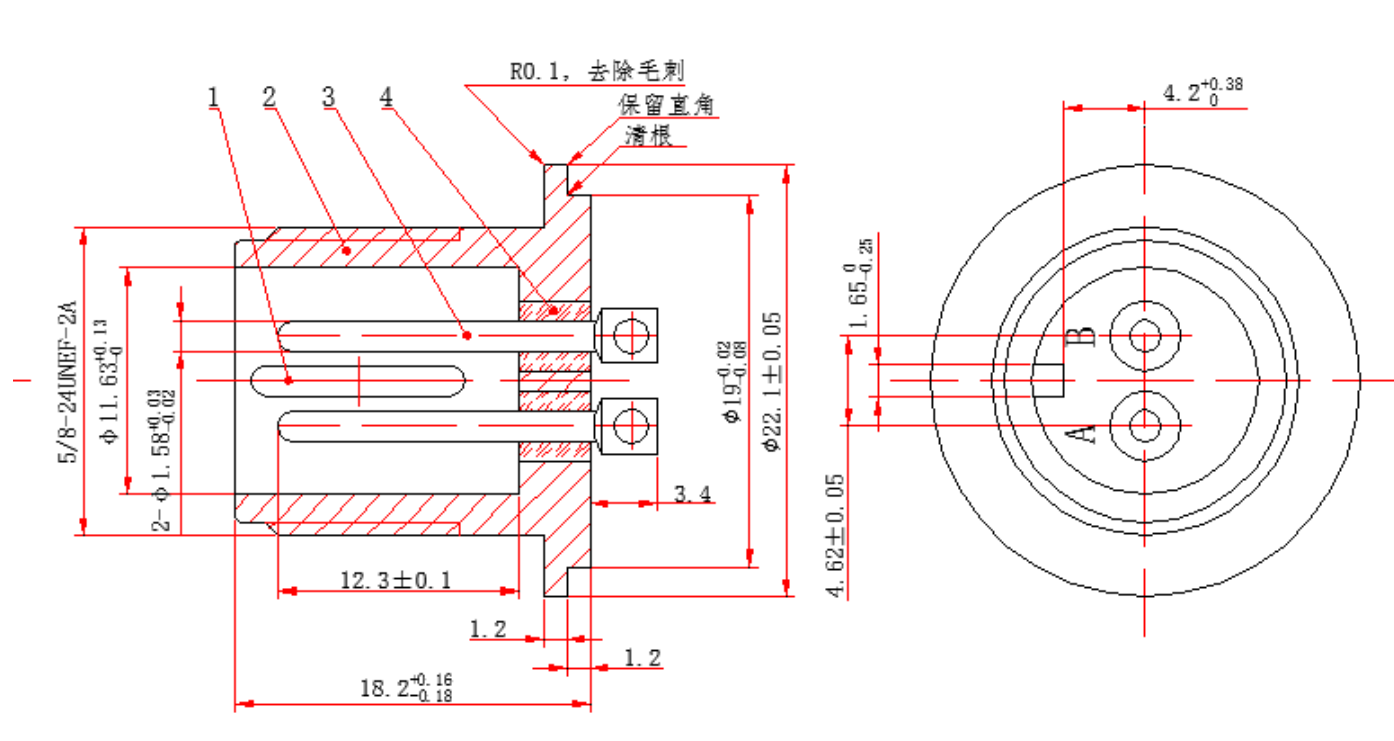
### Applications

- Connection for variation of sensor of vibration and speed.

### Specification

Material	316L,
Insulation resistance	500V $\geq$ 5000M $\Omega$
Seal	1 $\times$ 10 <sup>-10</sup> Pa.m <sup>3</sup> /s
Operating temperature	-55°C-300°C
Withstand pressure	10 MPa
Pin plating	gold (available)

### Drawing





---

Contact us

Nanjing Wotian Technology Co.,Ltd.

Website: [www.wtsensor.com](http://www.wtsensor.com)

Add: 5 Wenyong Road, Binjiang Development Zone, Nanjing, 211161, China

E-mail: [dr@wtsensor.com](mailto:dr@wtsensor.com)