

PCGSXR006-Seal connector



Features:

OEM Connector
well sealed
tight pin line
small size characteristics

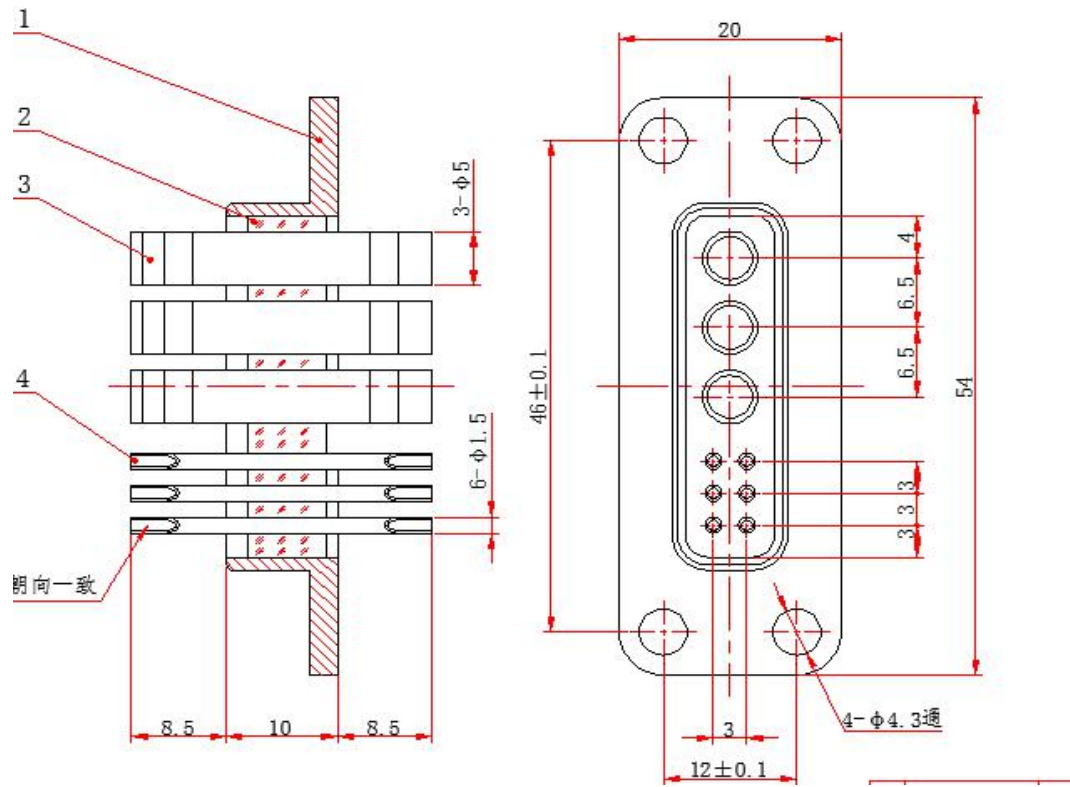
Application:

For the marine industry

Specification

Material	321,
Insulation resistance	$500V \geq 1000M \Omega$
Seal	$1 \times 10^{-9} Pa \cdot m^3/s$
Operating temperature	$-55^{\circ}C - 300^{\circ}C$
Withstand pressure	5 MPa
Pin plating	gold (available)

Drawing



Contact us

Nanjing Wotian Technology Co.,Ltd.

Website: www.wtsensor.com

Add: 5 Wenyong Road, Binjiang Development Zone, Nanjing, 211161, China

Email: dr@wtsensor.com