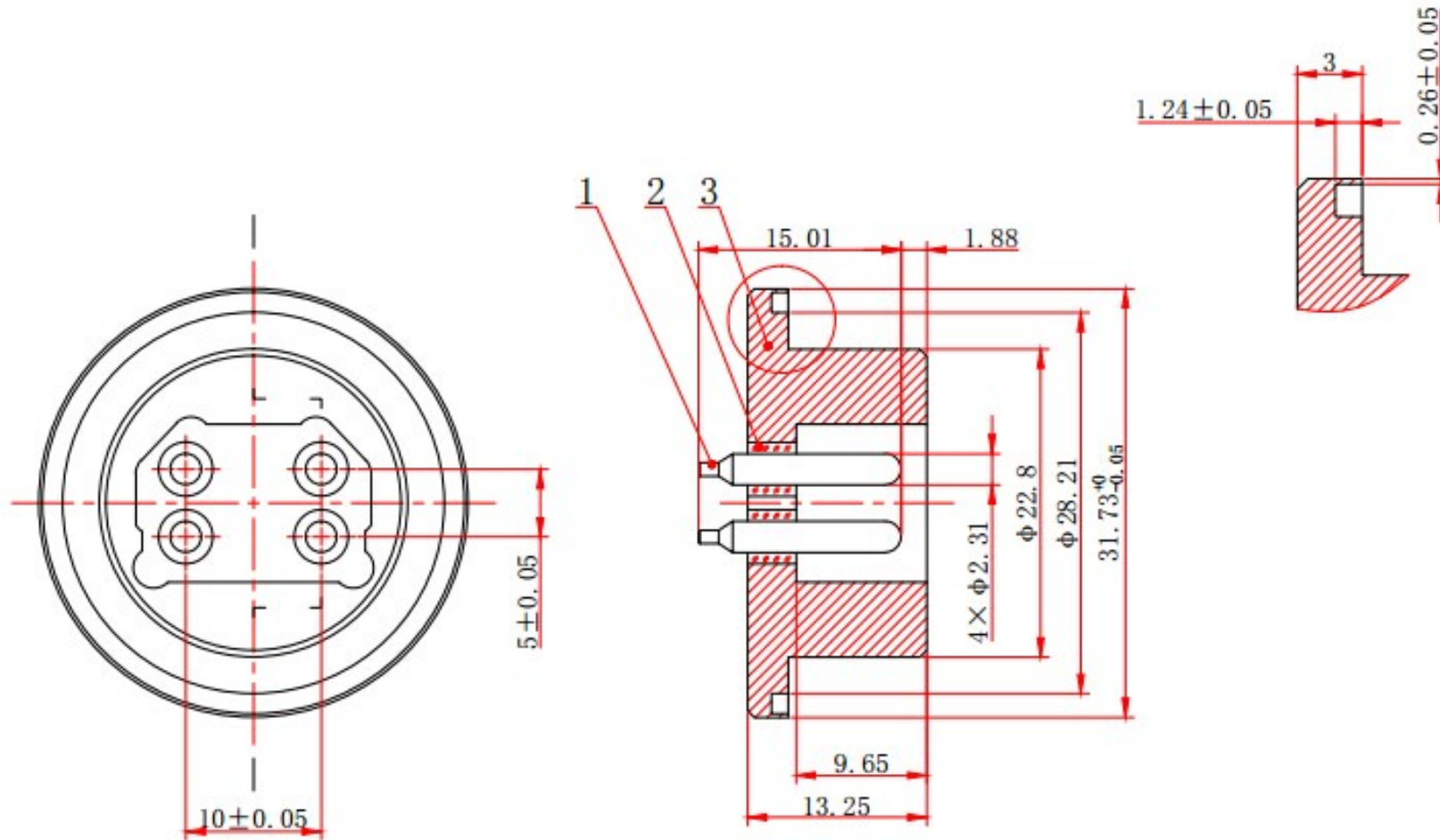


## PC-GS08-Connectors



Specification	
Material	304, 4J50
Tolerance	GB/T1804-m
Insulation resistance	$500V \geq 10000M\Omega$
Seal	$\leq 1 \times 10^{-9} Pa \cdot m^3/s$
Operating temperature	$-55^{\circ}C - 125^{\circ}C$
Pressure	15MPa
Withstand voltage	1000V
Lifetime	$\geq 500$ times
Pin plating	Ni3 $\mu m$ +Au0.2 $\mu m$





---

## Contact us

Nanjing Wotian Technology Co., Ltd.

Website: [www.wtsensor.com](http://www.wtsensor.com)

Add: 5 Wenyi Road, Binjiang Development Zone, Nanjing, 211161, China

E-mail : [dr@wtsensor.com](mailto:dr@wtsensor.com)