

PCM300Y Submersible Pressure Transmitter

Features

- SS316L diaphragm structure
- High accuracy, all stainless steel structure
- Micro amplifier, voltage and current signal output
- Diversified forms and structures, easy installation and use
- Wide pressure range, can measure the absolute pressure, gauge pressure and sealed pressure
- Anti-vibration, shock resistance

Applications and industries

- Equipment supporting, pneumatic, hydraulic, energy saving, environmental protection and medical treatment

Notes:

- 1 Do not touch the diaphragm with hard objects, which may cause damage to the diaphragm.
- 2 Please read the Instruction Manual of the product carefully before installation and check the relevant information of the product.
- 3 Strictly follow the wiring method for wiring, otherwise it may cause product damage or other potential faults.
- 4 Misuse of the product may cause danger or personal injury.



Product overview

PCM300Y Submersible Pressure Transmitter adopts the diffused silicon pressure sensor as the sensitive element; the built-in processing circuit transforms the sensor millivolt signal into the standard voltage, current signal outputs; can directly connect to the computer, control instrument, display instrument etc. Using high stability and high reliability piezoresistive pressure sensor and high performance transmitter dedicated circuit, the overall performance is stable and reliable, and it can carry out long-distance signal transmission.

PCM300Y can be directly put into the liquid to be tested for pipeline installation or drop-in installation with protection grade IP68. It is small in size, light in weight, easy to install, and convenient to use. It can be immersed in liquid for a long time and can be used in harsh outdoor scenes.

Notes:

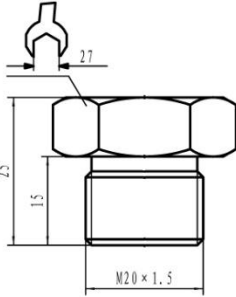
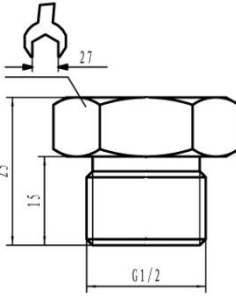
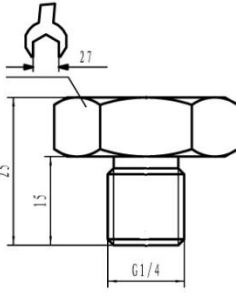
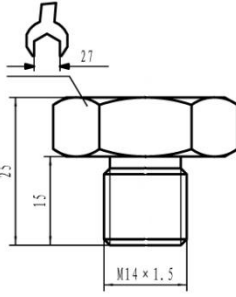
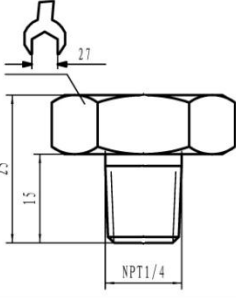
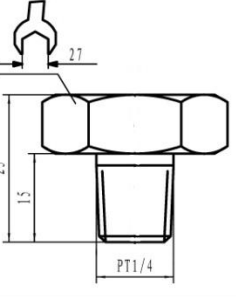
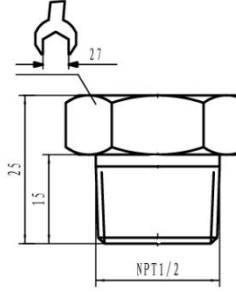
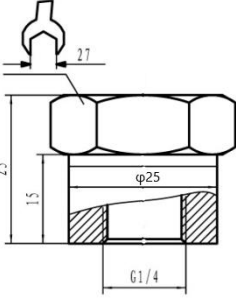
- 1 Do not misuse documentation.
- 2 The information presented in this product sheet is for reference only. Do not use this document as a product installation guide.
- 3 Complete installation, operation, and maintenance information is provided in the instructions of the product.
- 4 Misuse of the product may cause danger or personal injury.

Performance parameters	
Pressure range	10kPa~20kPa...60MPa
Pressure reference	Gauge pressure, Absolute pressure, Sealed gauge pressure
Supply & output	4~20mA (12~36V)
	4~20mA with display (12~36V)
Operating temp.	-20°C~85°C
Medium temp.	-20°C~85°C
Storage temp.	-40°C ~ 125°C
Zero temp. coefficient	±1.5%FS(@-20°C - 85°C)
Sensitivity temp. coefficient	±1.5%FS(@-20°C - 85°C)
Overpressure	150%FS
Mechanical vibration	20g (20~5000Hz)
Shock	10g (11ms)
Accuracy	±0.5%FS
Insulation	≥100MΩ/250VDC
Response time	≤2ms (Up to 90%FS)
Long-term stability	±0.2%FS/year
Protection grade	IP68
Material	Housing: stainless steel; internal sensor: 316L
Medium compatibility	All kinds of media compatible with SS316L

Electrical connection & wiring mode

Type	J1: 2088 housing	J1X: 2088 with display	J3: Cable outlet
<p>Dimension In mm</p>			
<p>Wiring method (Current output)</p>	<p style="text-align: center;">Current output</p>		<p>Red wire: Power supply + Green wire: Current output</p>

Pressure connection

Thread	C1: M20×1.5	C2: G1/2	C3: G1/4	C4: M14×1.5
Dimension In mm				
Thread	C5: NPT1/4	C6: PT1/4	C7: NPT1/2	C3F: G1/4 female
Dimension In mm				

Pressure range selection

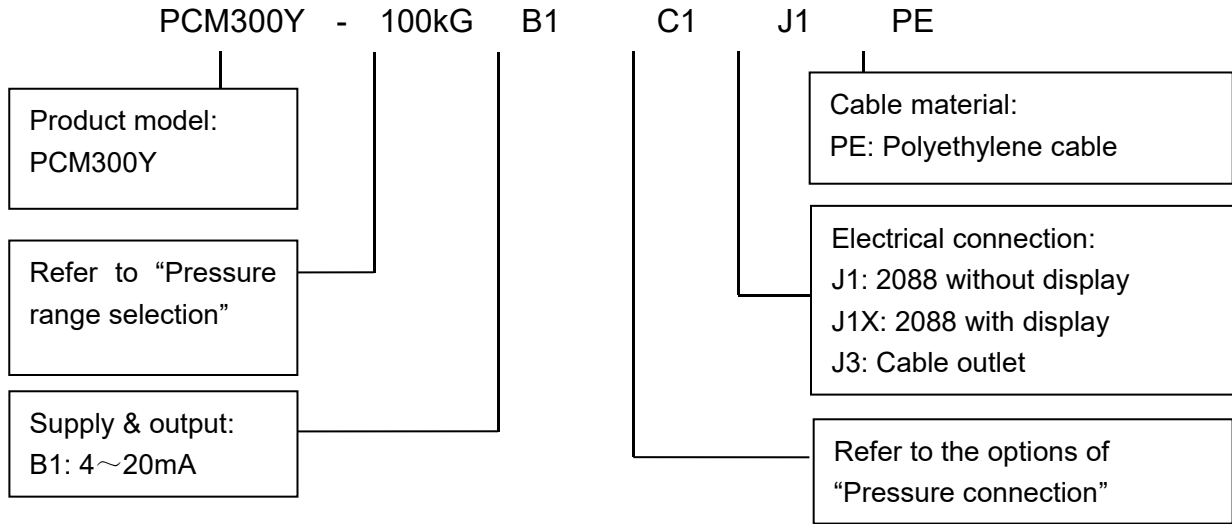
Pressure range code	Pressure reference	Pressure range	Overpressure	Burst pressure	Note
10kG	G	0~10kPa	150%FS	600%FS	
20kG	G	0~20kPa	150%FS	600%FS	
35kG	G	0~35kPa	150%FS	600%FS	
70kG	G	0~70kPa	150%FS	600%FS	
100kG	G	0~100kPa	150%FS	500%FS	
160kG	G	0~160kPa	150%FS	500%FS	
250kG	G	0~250kPa	150%FS	500%FS	
400kG	G	0~400kPa	150%FS	500%FS	
600kG	G	0~600kPa	150%FS	500%FS	
1MG	G	0~1MPa	150%FS	500%FS	
35kA	A	0~35kPa	150%FS	500%FS	
100kA	A	0~100kPa	150%FS	500%FS	
160kA	A	0~160kPa	150%FS	500%FS	
250kA	A	0~250kPa	150%FS	500%FS	
400kA	A	0~400kPa	150%FS	500%FS	
600kA	A	0~600kPa	150%FS	500%FS	
1.6MS	S	0~1.6MPa	150%FS	500%FS	
2.5MS	S	0~2.5MPa	150%FS	500%FS	
6MS	S	0~6MPa	150%FS	400%FS	
10MS	S	0~10MPa	150%FS	400%FS	
16MS	S	0~16MPa	150%FS	400%FS	
25MS	S	0~25MPa	150%FS	400%FS	

Pressure range selection (cont.)

40MS	S	0~40MPa	150%FS	150%FS	
60MS	S	0~60MPa	150%FS	150%FS	

Note: G stands for gauge pressure, A, absolute pressure, S, sealed gauge pressure.

How to order



Example: PCM300Y-100kGB1C1J1PE

Refer to product model PCM300Y, pressure range 0~100kPa gauge pressure, output signal 4~20mA, pressure connection M20×1.5, electrical connector 2088 housing without display, wring mode polyethylene cable.

Ordering tips

1. The default cable length of PCM300Y is 2 meters. If longer cable is needed, there will be extra charge. Please specify the cable length in the order.
2. The depth of submersible installation shall not exceed 20 meters.

Wotian reserves the right to make any change in this publication without notice. The information provided is believed to be accurate and reliable as of this product sheet.

Contact us

Nanjing Wotian Technology Co.,Ltd.

Website: www.wtsensor.com

Add: 5 Wenying Road, Binjiang Development Zone, Nanjing, 211161, China

E-mail: dr@wtsensor.com