

# PCM610J Differential Pressure Transmitter

## Features

- SS316L diaphragm structure
- Differential pressure value measurement
- Easy to install
- The zero point and full span of the product can be adjusted externally
- With the short circuit protection and reverse polarity protection
- Shock resistance, anti-vibration, anti-electromagnetic compatibility
- Can be customized according to the customer's requirements

## Applications and industries

- Equipment matching
- Scientific experiment
- Precision instrument
- Water supply and drainage
- Power plant differential pressure
- Flow quantity

### Notes:

- 1 Do not touch the diaphragm with hard objects, which may cause damage to the diaphragm.
- 2 It is recommended to install the three-valve manifold when using this product.
- 3 Please read the Instruction Manual of the product carefully before installation and check the relevant information of the product.
- 4 Strictly follow the wiring method for wiring, otherwise it may cause product damage or other potential faults.



## Product overview

PCM610J Differential Pressure Transmitter is assembled by OEM piezoresistive silicon differential pressure oil-filled sensor. The housing has all stainless steel structure, and has very strong corrosion resistance; the two pressure connections have threaded connections, and can be directly installed on the measuring piping or connected through the press-leading tube.

PCM610J series has a standard current output, can be conveniently installed or used, and widely used for differential pressure, liquid level flow quantity measurement and control etc. in the fields such as process control, aviation, aerospace, automobile, medical equipment, HVAC.

### Notes:

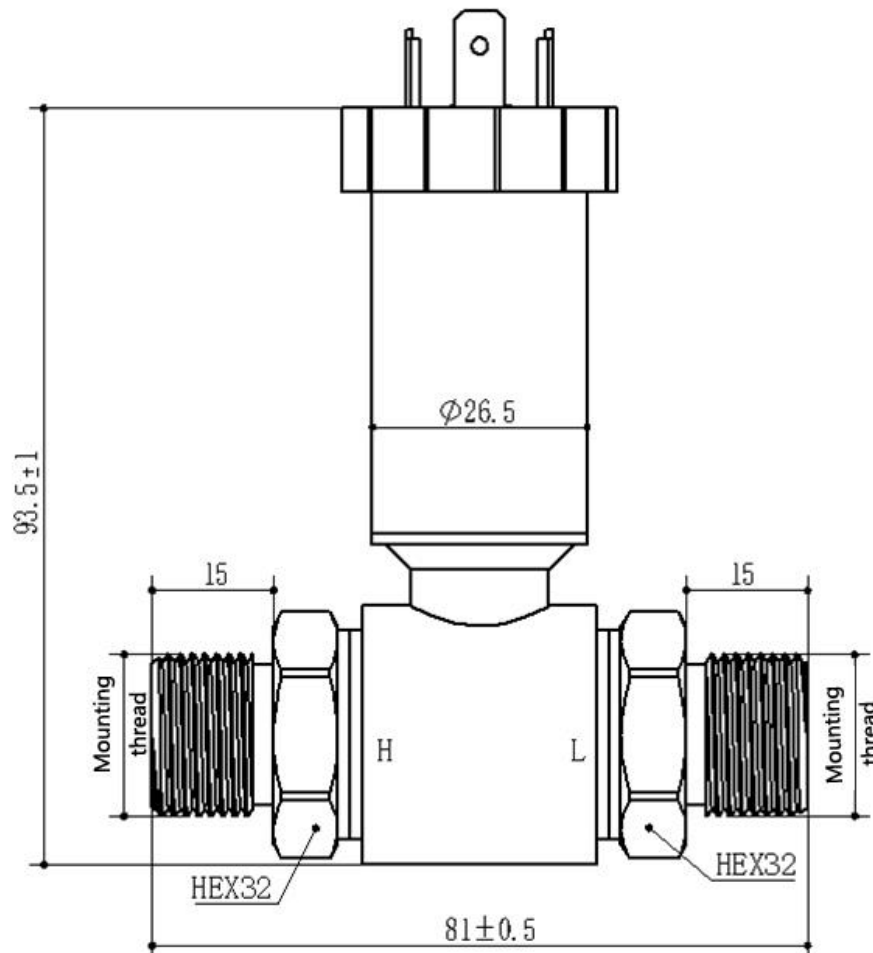
- 1 Do not misuse documentation.
- 2 The information presented in this product sheet is for reference only. Do not use this document as a product installation guide.
- 3 Complete installation, operation, and maintenance information is provided in the instructions of the product.
- 4 Misuse of the product may cause danger or personal injury.

### Performance parameters

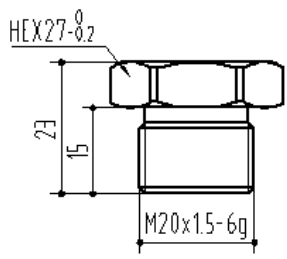
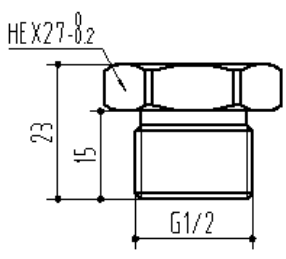
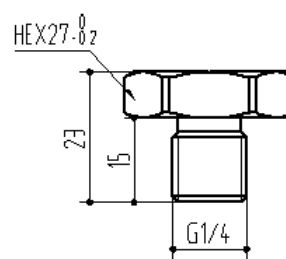
Pressure range	0~10kPa...2.5MPa
Static pressure	10MPa (Max.)
Pressure reference	Differential pressure
Supply & output	4~20mA (12~36VDC; cannot add load for 12V)
Accuracy	±0.5%FS
Temperature drift	±1.5%FS(-20°C~85°C)
Power-on response time	≤100ms (Up to 90%FS)
Service life	≥1×10 <sup>6</sup> pressure cycles
Ambient temperature	-20°C~85°C
Medium temp.	-20°C~85°C
Storage temp.	-40°C~125°C
EMC	Interference immunity: IEC 61000-6-2; Radiation: IEC 61000-6-3
Insulation resistance	100MΩ/250VDC
Shock	100g (11ms)
Protection grade	IP65
Material	304
Maximum mounting torque	25Nm

### Appearance structure

Dimension  
In mm



### Pressure connection



Thread code	C1: M20x1.5-6g	C2: G1/2	C3: G1/4
Dimension In mm			
Recommended torque	15~25Nm	15~25Nm	15~25Nm

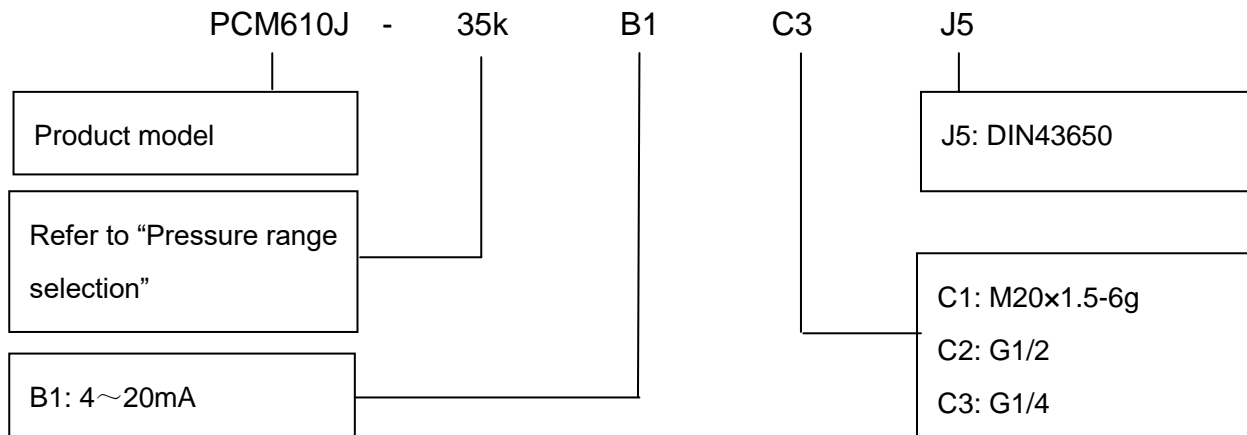
Note: The torque depends on all kinds of factors, such as gasket material, kitting material, thread lubrication and pressure.

### Pressure range selection

Pressure range code	Pressure range	Positive direction overload	Negative direction overload	Note
10k	0~10kPa	300%FS	300%FS	
35k	0~35kPa	300%FS	300%FS	
70k	0~70kPa	300%FS	300%FS	
100k	0~100kPa	300%FS	300%FS	
250k	0~250kPa	200%FS	200%FS	
0.6M	0~0.6MPa	200%FS	200%FS	
1M	0~1MPa	200%FS	150%FS	
1.6M	0~1.6MPa	200%FS	150%FS	
2.5M	0~2.5MPa	200%FS	150%FS	

### Accessory

Name	Appearance	Description	Material No.
Hirschmann plug		OMAL	100040301013
Liquid crystal display (LCD) gauge		LCD12	100040100008



Example: PCM610J-35k-B1-C3-J5

Refer to product model PCM610J, pressure range 0~35kPa, power supply 24V, output signal 4~20mA, pressure connection G1/4, DIN43650 connector.

## Ordering tips

- (1) Please ensure the compatibility between the measured medium and the contacting part of the product when placing an order.
- (2) If there are special requirements for the product appearance or performance parameter, our company can provide customization.

Wotian reserves the right to make any change in this publication without notice. The information provided is believed to be accurate and reliable as of this product sheet.

## Contact us

Nanjing Wotian Technology Co., Ltd.

Add: 5 Wenying Road, Binjiang Development Zone, Nanjing, 211161, China

Email: [dr@wtsensor.com](mailto:dr@wtsensor.com)