

PCM600 (WTR05) Differential Pressure Transmitter

Features

- $\varnothing 8$ agnail connection, easy to install
- Measuring tiny gas differential pressure value
- Firm and well-sealed aluminium alloy housing
- With the short circuit protection and reverse polarity protection
- Full range compensation for zero and sensitivity temperature
- Strong anti-interference capacity, stability performance

Applications

- Applicable to the air supply for boiler, underground ventilation and other electricity and mining industries, as well as the process control field of automated pressure detection for the super clean workshop.

Notes:

- 1 Do not touch the diaphragm with hard objects, which may cause damage to the diaphragm.
- 2 It is recommended to install the three-valve manifold when using this product.
- 3 Please read the Instruction Manual of the product carefully before installation and check the relevant information of the product.
- 4 Strictly follow the wiring method for wiring, otherwise it may cause product damage or other potential faults.



Product overview

PCM600 differential pressure transmitter is assembled by OEM piezoresistive silicon differential pressure sensor, and the housing is the aluminium alloy structure; the pressure connection is M10 thread & agnail structure, and can be directly installed on the measuring piping or connected through the press-leading tube; it is easy to install and use, and widely applies in the air supply for boiler, underground ventilation and other electricity and mining industries, as well as the process control field of automated pressure detection for the super clean workshop.

Notes:

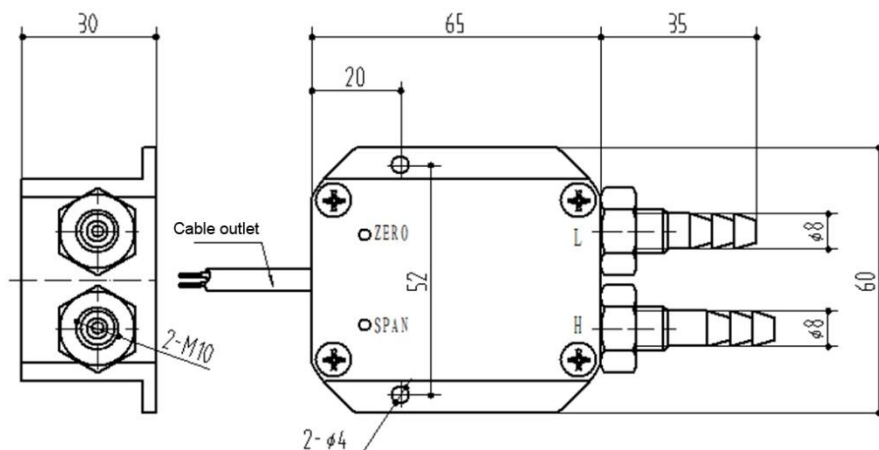
- 1 Do not misuse documentation.
- 2 The information presented in this product sheet is for reference only. Do not use this document as a product installation guide.
- 3 Complete installation, operation, and maintenance information is provided in the instructions of the product.
- 4 Misuse of the product may cause danger or personal injury.

Performance parameters

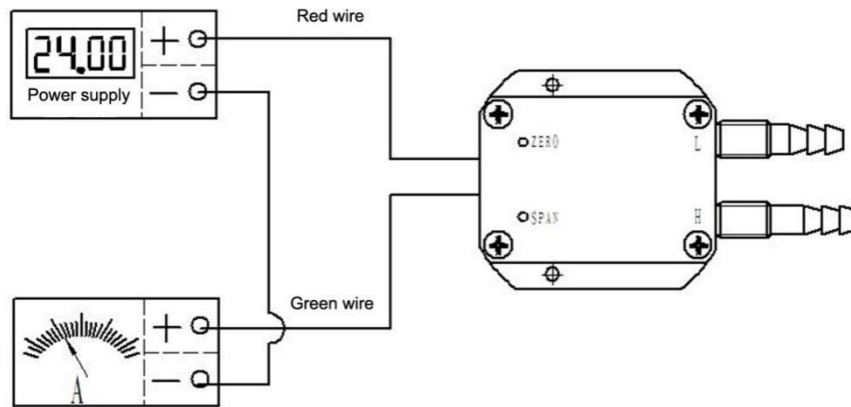
Pressure range	0~500Pa…100kPa
Pressure reference	Differential pressure
Supply & output	Output: 4 to 20mA; Supply: 16~36V
Operating temp.	0°C~60°C
Medium temp.	-10°C~60°C
Storage temp.	-40°C~125°C
Zero temp. coefficient	±3%FS(@0°C~50°C)
Sensitivity temp. coefficient	±3%FS (@0°C~50°C)
Overpressure	200%FS
Mechanical vibration	Sine curve: 20g, 25Hz~2kHz; IEC 60068-2-6
Shock	10g/11ms; IEC 60068-2-27
Accuracy (linearity, repeatability and hysteresis)	500Pa、1kPa、2kPa: ±2%FS (@25±5°C)
	5kPa、7kPa、10kPa: ±1.5%FS (@25±5°C)
	10kPa~100kPa: ±0.5%FS (@25±5°C)
Insulation	100MΩ/250VDC
Response time	<100ms
Long-term stability	±0.2%FS/year
Durability	≥10 ⁶ pressure cycles
Protection grade	IP65
Material	Stainless steel or aluminium alloy for housing
Medium compatibility	All kinds of media compatible with the stainless steel or aluminium alloy

Appearance structure

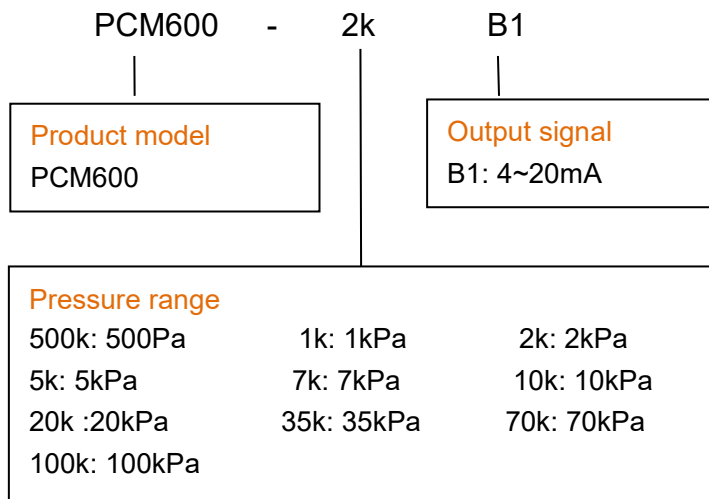
Dimension
In mm



Connection mode



How to order



Example: PCM600-2kB1

PCM600: product model. 2k: pressure range. B1: output signal 4-20mA.

Ordering tips

1. Ensure compatibility between measured media and contacting part of product.
2. Customization is available for special requirements on the appearance and performance parameters of the product.
3. The product is standardly equipped with 1.5m grey lead wire, and the excess part should be additionally calculated as the optional accessory.

Wotian reserves the right to make any change in this publication without notice. The information provided is believed to be accurate and reliable as of this product sheet.



Contact us

Nanjing Wotian Technology Co., Ltd.

Website: www.wtsensor.com

Add: 5 Wenyong Road, Binjiang Development Zone, Nanjing, 211161, China

E-mail: dr@wtsensor.com