

PCM1610 Monocrystalline Silicon Differential Pressure Transmitter

Features

- Imported ultra-high stability differential pressure die
- Accurate measurement of Pa range differential pressure signal
- Static pressure error within $\pm 0.1\%FS/10MPa$
- Double overpressure protection diaphragm design
- Unilateral overpressure limit up to 16MPa
- High accuracy temperature sensor inside
- Intelligent temperature compensation
- Positive and negative pressure completely symmetrical, without O-ring
- All welded and exquisite design, small size and powerful functions

Applications

- Mobile tank monitoring
- Thermal meter manufacturing

Notes:

- 1 Do not touch the diaphragm with hard objects, which may cause damage to the diaphragm.
- 2 Please read the Instruction Manual of the product carefully before installation and check the relevant information of the product.
- 3 Strictly follow the wiring method for wiring, otherwise it may cause product damage or other potential faults.



Overview

PCM1610 Monocrystalline Silicon Differential Pressure Transmitter uses imported high stability differential pressure chip as its internal differential pressure sensitive core. The world's unique monocrystalline silicon Double Beam Suspension Design achieves internationally leading high-precision, ultra-high overpressure performance and superior stability. The embedded signal processing module achieves a perfect combination of static pressure and temperature compensation, achieving high accuracy and long-term stability over a wide range of static pressure and temperature changes.

PCM1610 Monocrystalline Silicon Differential Pressure Transmitter uses internal constant current or constant voltage power supply, and convert the measured differential pressure value into 4~20mA current signal.

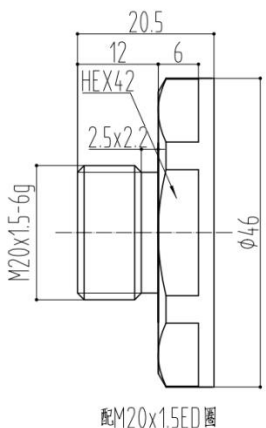
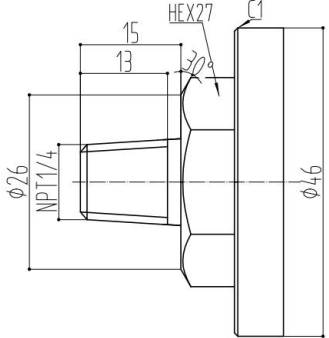
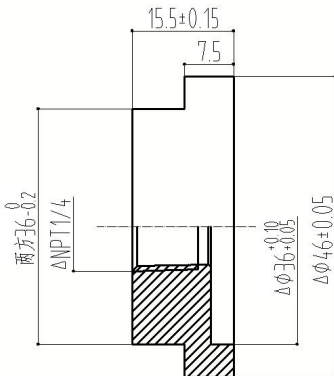
Notes:

- 1 Do not misuse documentation.
- 2 The information presented in this product sheet is for reference only. Do not use this document as a product installation guide.
- 3 Complete installation, operation, and maintenance information is provided in the instructions of the product.

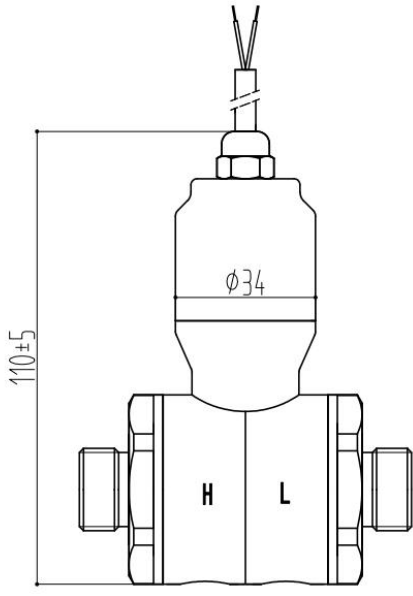
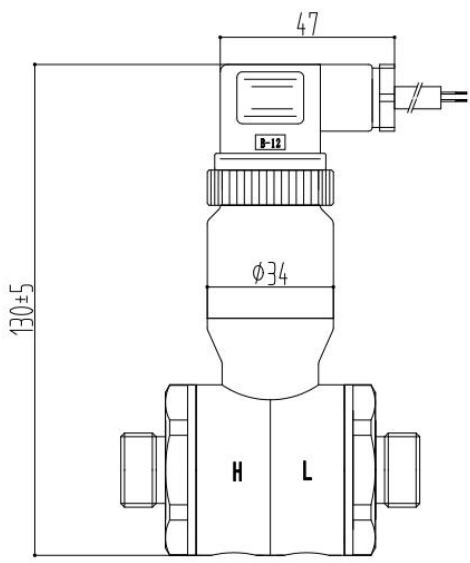
Performance parameters

Pressure range	±6kPa、±40kPa、±100kPa、±250kPa、±1MPa、±3MPa
Supply	12~24VDC, 24VDC recommended
Output	4~20mA,
Operating temp.	-30~75°C
Storage temp.	-40°C~125°C
Compensation temp.	-20~70°C
Accuracy	±0.25%FS (25±5°C)
Overall accuracy	±0.5%FS (-20~70°C, standard pressure range)
Overpressure	16MPa
Maximum static pressure	40MPa
Insulation resistance	≥200MΩ/500VDC
Response time	≤300ms (up to 90%FS)
Long term stability	±0.1%FS/year
Protection	IP65
Material	All stainless steel
Medium compatibility	Various medium compatible with 304 stainless steel

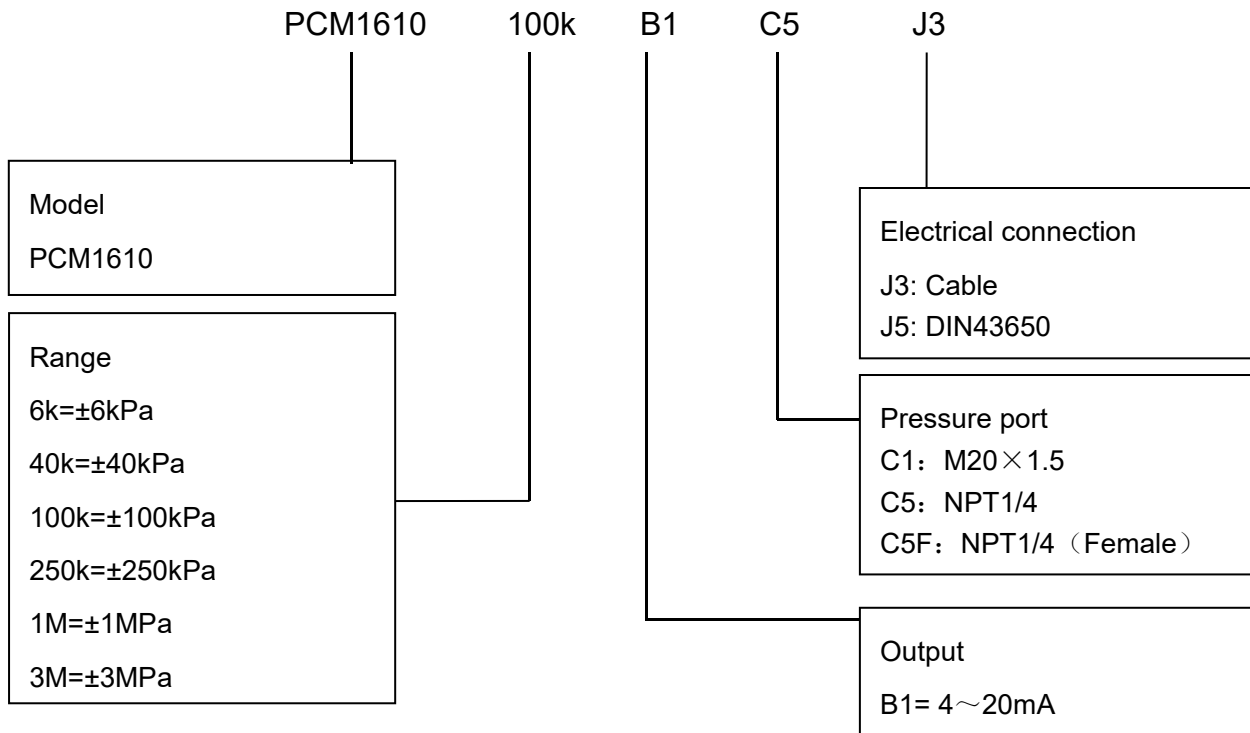
Pressure port

Code	C1: M20×1.5-6g	C5: NPT1/4	C5F: NPT1/4 female
Dimension	 <p>配M20x1.5ED圈</p>		

Electrical connection

Code	J3: cable	J5: DIN43650
Dimension		

How to order



Example: PCM1610-100k B1 C5 F J3

Refer to product model PCM1610, with pressure range ±100kPa, output signal 4~20mA, pressure port NPT1/4 Female, electrical connection cable outlet.



Ordering tips:

1. Accessories need to be ordered separately.
2. If another electrical connection type is required, please specify.

Contact us

Nanjing Wotian Technology Co.,Ltd.

Website: www.wtsensor.com

Add: 5 Wenying Road, Binjiang Development Zone, Nanjing, 211161, China

E-mail: dr@wtsensor.com