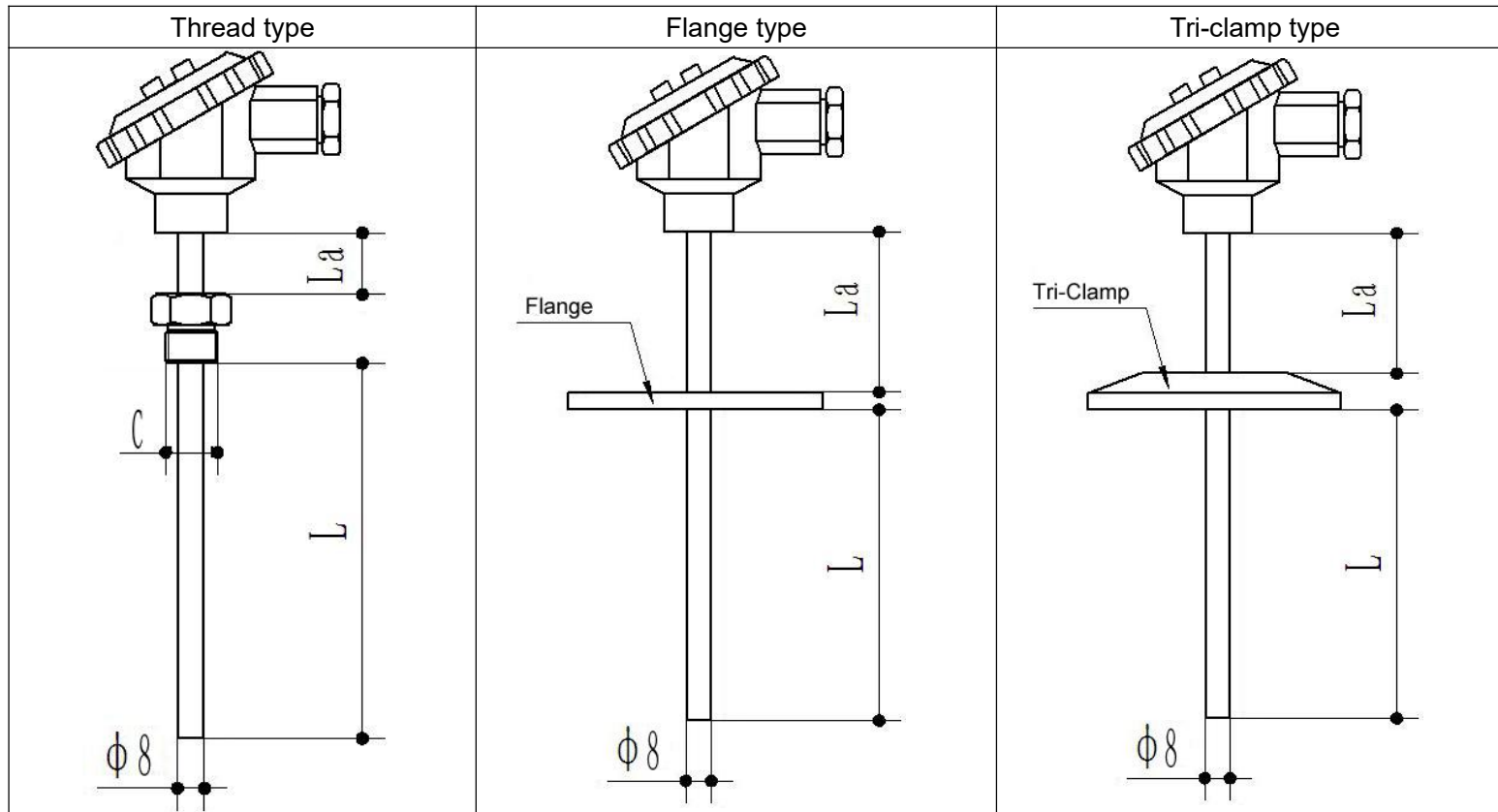


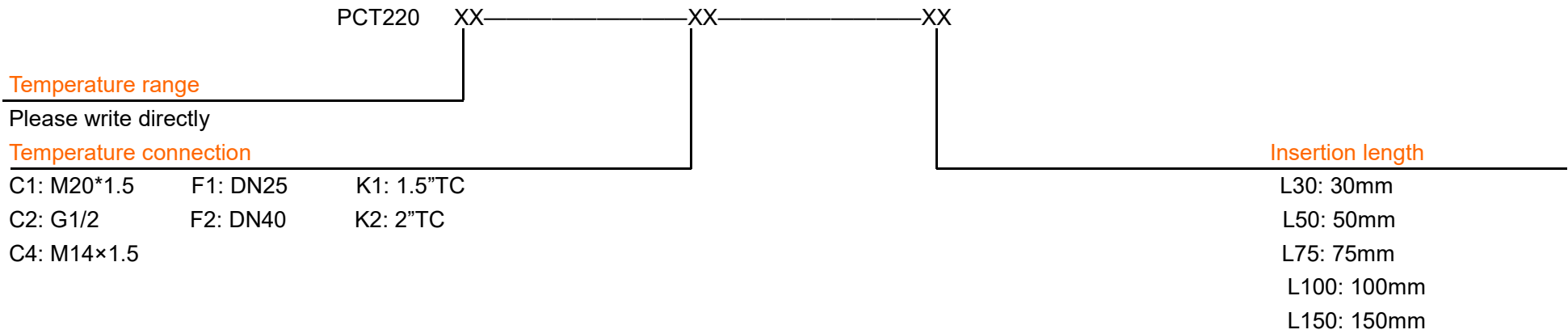
## PCT220 Armored Explosion Proof Temperature Transmitter



Platinum temperature sensor  
Vibration resistance, good reliability, high accuracy

Temperature range	
Temperature range	-50°C to 250°C
Specification	
Accuracy (linearity, repeatability and hysteresis)	±0.5%F.S. (Typical)
Supply	24VDC
Output	4-20mA
Heat response time	≤30S
Sensing element	PT100
Insertion diameter	Φ8mm
Insulation	100MΩ/250VDC
Protection	IP65
Ex-proof	Exia IIC T6
Housing material	Stainless steel 304





Wotian reserves the right to make any change in this publication without notice. The information provided is believed to be accurate and reliable as of this product sheet.

### Contact us

Nanjing Wotian Technology Co.,Ltd.

website: [www.wtsensor.com](http://www.wtsensor.com)

Add: 5 Wenyang Road, Binjiang Development Zone, Nanjing, 211161, China

Email: [dr@wtsensor.com](mailto:dr@wtsensor.com)