

PCT004 Universal Bimetal Temperature Sensor

Features

- Temperature measurement range
- Easy installation
- High temperature measurement accuracy
- Long-term stability
- Long life cycle

Applications

- Electric power, aerospace industry
- Temperature measurement in textile, food and other fields
- Atomic energy, petroleum, chemical

Notes:

- 1 When measuring temperature, the temperature measuring element should reach thermal equilibrium with the measured object.
- 2 Make sure the insertion length is accurate.
- 3 Please read the Instruction Manual of the product carefully before installation and check the relevant information of the product.



Product overview

The bimetal temperature sensor integrates bimetal thermometer and thermal resistance (couple) to meet the requirements of on-site temperature measurement and long-distance transmission. It can directly measure liquid, steam and gas media in the range of -80 ~ 500 degrees Celsius during various production processes and the temperature on solid surfaces.

Notes:

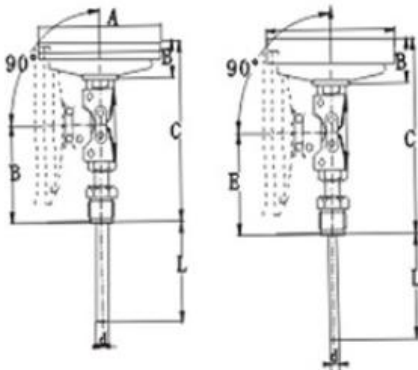
- 1 Do not misuse documentation.
- 2 The information presented in this product sheet is for reference only. Do not use this document as a product installation guide.
- 3 Complete installation, operation, and maintenance information is provided in the instructions of the product.
- 4 Misuse of the product may cause danger or personal injury.

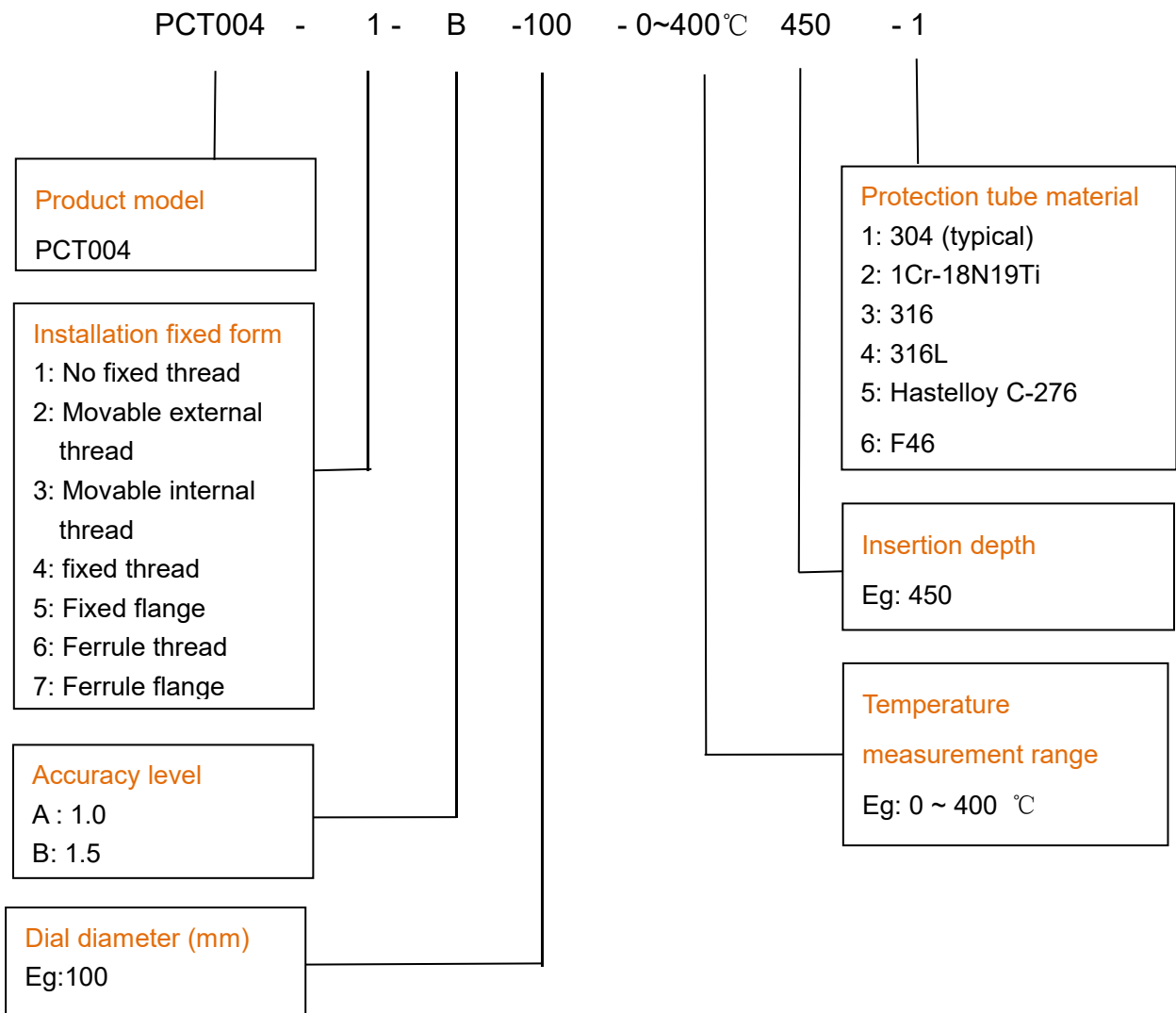
Technical Indicators

Model	Measurement Ranges: °C	Ranges	Protection Tube Material		Insertion Depth L (mm)
Bimetal temperature sensor	-80—40	1.0	1Cr-18N19Ti		150
	-40~60	1.5	304		200
	0~50		316		300
	0~150		316L		400
	0~200		Hastelloy		500
	0~400		C-276		750
	0~500		F46		1000
	0~650				2000
Form	D	A	B	E	Diameter (mm)
Universal type	105	23	178	120	Φ 10
Bimetallic thermometer	155	23	178	120	Φ 12
	105	40	135		Φ 14

Product Parameters

Thermal response time	≤40s
Accuracy class	1.0, 1.5FS
Thermocouple	-80 ~ 650 °C
	Class I, 1.5 °C, Class II, 2.5 °C
Thermal resistance	Class A ± (0.15 + 0.0051t1)
	Class B ± (0.30 + 0.0051t1)
Protection class	IP65
Diameter	60, 65, 100, 150





Example: PCT004-1-B-100-0~400℃450-1

The product model is PCT004, 1: installation fixed form is no fixed thread, B: accuracy level 1.5, 100: dial diameter 100 mm, 0~400℃: temperature measurement range : 0 ~ 400 °C, 450: insertion depth 450 mm, 1: protection tube material is 304 (typical).

Wotian reserves the right to make any change in this publication without notice. The information provided is believed to be accurate and reliable as of this product sheet.

Contact us

Nanjing Wotian Technology Co.,Ltd.

Website: www.wtsensor.com

Add: 5 Wenying Road, Binjiang Development Zone, Nanjing, 211161, China

E-mail: dr@wtsensor.com