

PCM460 Pressure transmitter

Characteristics

- Adopting high-performance diffused silicon piezoresistive sensors
- For gas, liquid and other media pressure measurement
- Wide pressure ranges
- Selectable digital displays
- Multiple output signals

Applications

- Industrial site control
- Oil field
- Heavy industry
- Chemical
- Gas pipeline network
- Water supply pipeline network

Note:

1. Do not touch the diaphragm with hard objects. Which will cause damage to the diaphragm.
2. Please read the product manual and check the relevant information carefully before installation.
3. Strictly follow the wiring method, otherwise it will cause product damage and other potential failures.
4. Wrong usage will result in danger and personal injury.



Overview

PCM460 pressure transmitter adopts high performance, high stability OEM pressure die as a signal measurement element, by special signal processing, convert the sensor signal into a standard signal output, after long-term aging and stability screening, make sure the product performance is stable and reliable, used in the harsh environment of open air field, meanwhile display the field pressure, and migrate zero point, full range etc.

PCM460 Pressure transmitter mounting interface form not only can customized but also can provide specifications compatible with other transmitter brands. This series products widely used in Industrial process control, petroleum, chemical, metallurgy and other industries.

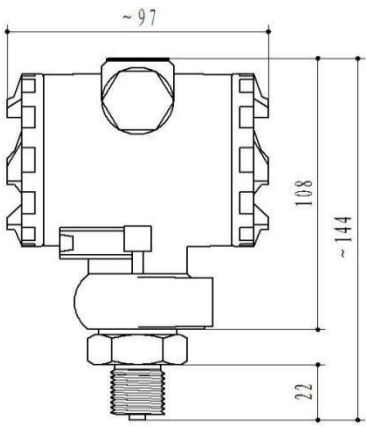
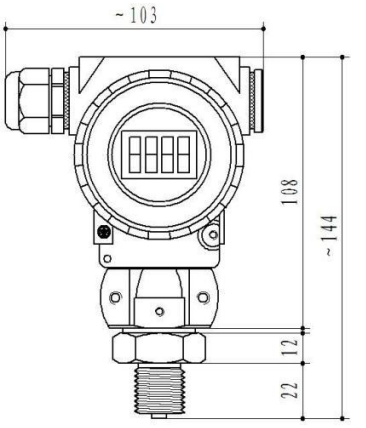
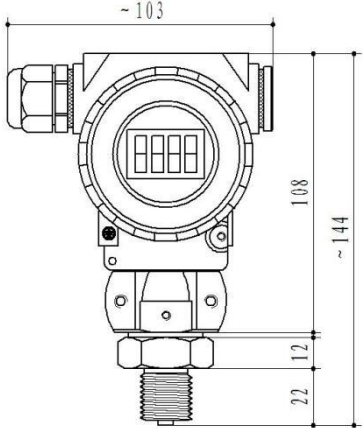
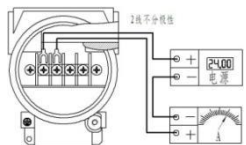
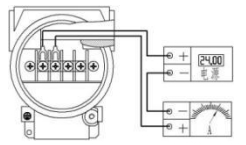
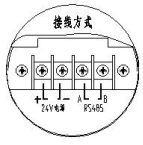
Note:

- 1 Don't misuse documents.
- 2 The information in this selection is for reference only and should not be used as a product installation guide.
- 3 Provide complete installation, operation and maintenance information in the product manual.
- 4 Wrong usage will result in danger and personal injury.

Performance parameters

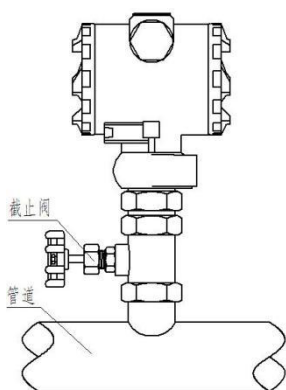
Pressure Range	-100kPa...0~20kPa...100MPa
Pressure Type	Gauge pressure, Absolute pressure, Sealed gauge pressure
Supply/Output	4~20mA without display (12~36V)
	4~20mA+Hart/RS485 with display (18~36V)
Operating temperature	-20°C~85°C
Medium temperature	-20°C~85°C
Storage temperature	-40°C~125°C
Temperature effect on zero	Range>35kPa: ±1.5%FS (@-10°C~70°C)
	Range≤35kPa: ±3%FS (@0°C~60°C)
Sensitivity temperature effect on zero	Range>35kPa: ±1.5%FS (@-10°C~70°C)
	Range≤35kPa: ±3%FS (@0°C~60°C)
Overload pressure	150%FS~300%FS
Mechanical vibration	20g (20~5000Hz)
Shock	20g (11ms)
Accuracy	0.5%FS
Insulation	100MΩ/250VDC
Response time	HART: ≤2s (Up to 90%FS)
	RS485: ≤1000ms (Up to 90%FS)
Long-term stability	±0.2%FS/year
EMC surging	(IEC61000-4-5) 2kV
EMC static electricity	(IEC61000-4-2) Contact discharge 8kV, Air discharge 15kV
Protection grade	IP65
Anti-hazard classification	Ex i explosion-proof Exia II CT6
Material	Housing low copper aluminum alloy; Isolation diaphragm316L
Media compatible	Various media compatible with 316L stainless steel

Electrical connection and wiring method

Type	J1: 4~20mA+Hart without display	J1X: 4~20mA+Hart with display	J8X: 4~20mA+RS485 with display
Dimension Unit: mm	 <p>~97 108 ~144 22</p>	 <p>~103 108 ~144 22 12</p>	 <p>~103 108 ~144 22 12</p>
Wiring method	 <p>2线不分极性</p>		 <p>接线方式</p>

Pressure connection			
Type	C1: M20×1.5	C2: G1/2	C7: NPT1/2
Dimension Unit: mm			

Installation diagram (Only for reference)



Installation suggestion:

- (1) The product is installed vertically in the field pressure interface.
- (2) When installing in the open air, the transmitter should be placed in a ventilated and dry place as far as possible to avoid direct exposure to strong light and rain, otherwise will result in deteriorate performance or malfunction.
- (3) When the product is installed in the area with many lightning, the order should be marked "lightning protection", and meanwhile recommend customer install anti-lightning protection devices on the site, ensure that the product and power supply are reliably grounded, which can reduce the probability of lightning damage to the transmitter.
- (4) If the transmitter without output or output abnormal after installation, please check:
 - ① Whether the electrical connection is accurate and firm
 - ② Whether the supply voltage is too low and the load resistance is too large.

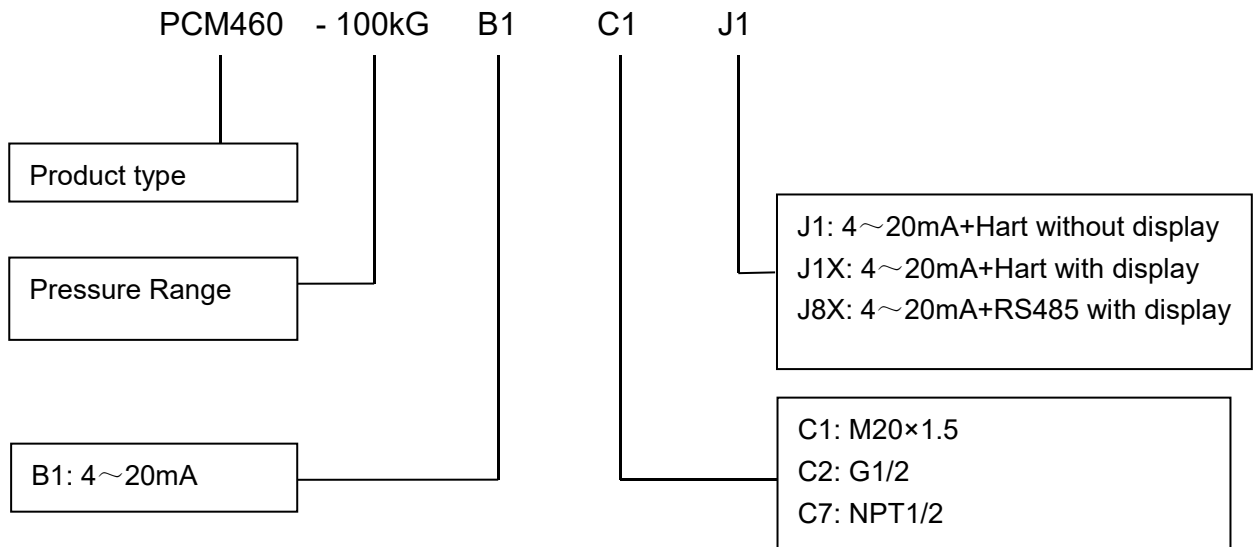
Pressure range selection

Range Code	Pressure Type	Pressure Range	Overload pressure	Burst pressure	Note
10kG	G	0~10kPa	300%FS	600%FS	
20kG	G	0~20kPa	300%FS	600%FS	
35kG	G	0~35kPa	300%FS	600%FS	
70kG	G	0~70kPa	300%FS	600%FS	
100kG	G	0~100kPa	200%FS	500%FS	
160kG	G	0~160kPa	200%FS	500%FS	
250kG	G	0~250kPa	200%FS	500%FS	
400kG	G	0~400kPa	200%FS	500%FS	
600kG	G	0~600kPa	200%FS	500%FS	
1MG	G	0~1MPa	200%FS	500%FS	
100kA	A	0~100kPa	200%FS	500%FS	

160kA	A	0~160kPa	200%FS	500%FS	
250kA	A	0~250kPa	200%FS	500%FS	
400kA	A	0~400kPa	200%FS	500%FS	
600kA	A	0~600kPa	200%FS	500%FS	
1MA	A	0~1MPa	200%FS	500%FS	
1.6MS	S	0~1.6MPa	200%FS	500%FS	
2.5MS	S	0~2.5MPa	200%FS	500%FS	
6MS	S	0~6MPa	200%FS	400%FS	
10MS	S	0~10MPa	200%FS	400%FS	
16MS	S	0~16MPa	200%FS	400%FS	
25MS	S	0~25MPa	150%FS	400%FS	
40MS	S	0~40MPa	150%FS	300%FS	
60MS	S	0~60MPa	150%FS	300%FS	
100MS	S	0~100MPa	150%FS	300%FS	

Note: G gauge pressure, A absolute pressure, S shell sealed pressure

How to order



Example: PCM460-100kGB1C1J1

Product type is PCM460, pressure range is 0~100kPa, gauge pressure, output signal is 4~20mA+Hart, Thread connection is M20×1.5, Outline is 2088 housing without display

Accessories

Standard with white plastic tight wire, plug. Optional metal wire, plug, please specify in the order.

Order Tips

Please ask customer whether the demand unit can be displayed before placing an order.



Contact us

Nanjing Wotian Technology Co.,Ltd.

Website: www.wtsensor.com

Add: 5 Wenyong Road, Binjiang Development Zone, Nanjing, 211161, China

E-mail: dr@wtsensor.com