

PCT160 Armored Temperature Transmitter

Features

- Easy to install
- High strength
- Integrated structure
- Long-term stable work
- Fast response
- Reliable structure

Applications

- Equipment support
- Automatic temperature measurement and control systems such as pumps, compressors, natural gas pipelines, etc.
- Temperature measurement of water or oil in petroleum, chemical, electric power, textile, and environmental protection fields, etc.

Notes:

- 1 When measuring temperature, the temperature measuring element should reach thermal equilibrium with the measured object.
- 2 Make sure the insertion length is accurate.
- 3 Please read the Instruction Manual of the product carefully before installation and check the relevant information of the product.
- 4 Strictly follow the wiring method for wiring, otherwise it may cause product damage or other potential faults.



Product overview

PCT160 armored temperature transmitter adopts the resistance value of platinum resistance to change with temperature and shows a certain functional relationship to measure the temperature of the measured medium. It uses high performance and reliability imported platinum resistance, and good performance modular signal processing technology to measure and calibrate medium temperature and output industrial control standard signals.

PCT160 is easy to install and has extremely high vibration resistance and shock resistance.

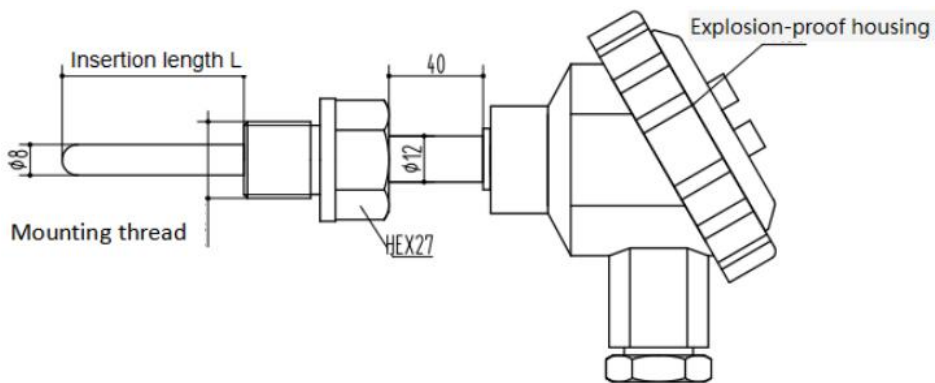
Notes:

- 1 Do not misuse documentation.
- 2 The information presented in this product sheet is for reference only. Do not use this document as a product installation guide.
- 3 Complete installation, operation, and maintenance information is provided in the instructions of the product.
- 4 Misuse of the product may cause danger or personal injury.

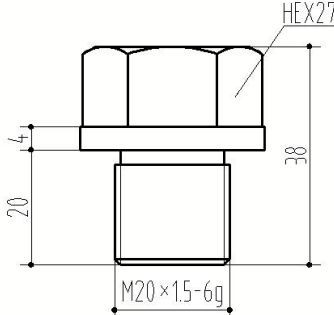
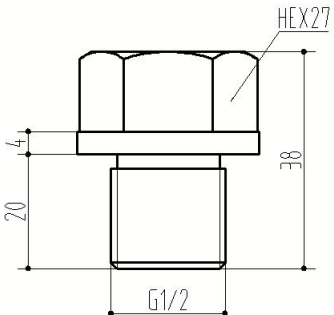
Performance parameters

Temperature range	-50°C~250°C(max)
Supply & output	Supply:16-36V;Output:4-20mA
Accuracy	±0.5%FS(typ.)
Sensing element	Pt100 Grade A
Insulation strength	100MΩ/250VDC
Response time	≤30s
Long term stability	≤0.2%FS/year
Insertion diameter	Φ8mm
Storage temp.	-40°C~85°C
Electrical connection	Terminals
Protection	IP65
Material	304
Max. mounting torque	25Nm

Structure&Dimension

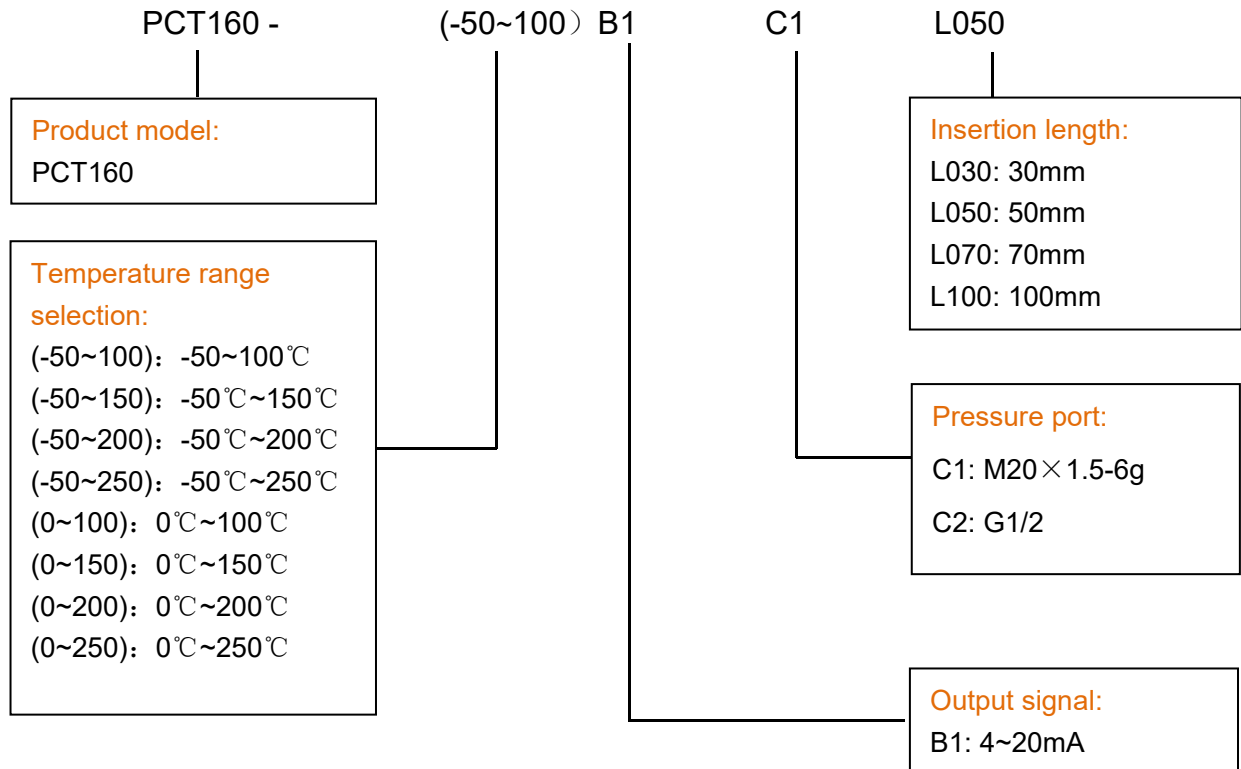
Dimension In mm	
--------------------	-------------------------------------------------------------------------------------

Pressure port

Thread code	C1: M20×1.5-6g	C2: G1/2
Dimension In mm		
Recommended torque	15~25Nm	15~25Nm

Note: Torque depends on various factors such as material of gasket, supporting materials, lubrication of thread and pressure.

How to order



Example: PCT160- (-50~150)B1C1L050

Product model: PCT160. (-50~150):temperature range. B1:output signal 4~20mA. C1:Pressure port . M20×1.5-6g. L050:Insertion length 50mm.

Ordering tips:

- (1) Ensure compatibility between measured media and contacting part of product.
- (2) For special requirements on the product appearance and performance parameters, customization is available.

Wotian reserves the right to make any change in this publication without notice. The information provided is believed to be accurate and reliable as of this product sheet.

Contact us

Nanjing Wotian Technology Co.,Ltd.

Website: www.wtsensor.com

Add: 5 Wenying Road, Binjiang Development Zone, Nanjing, 211161, China

E-mail: dr@wtsensor.com