

## PCGSXR006-Seal connector



### **Features:**

OEM Connector  
well sealed  
tight pin line  
small size characteristics

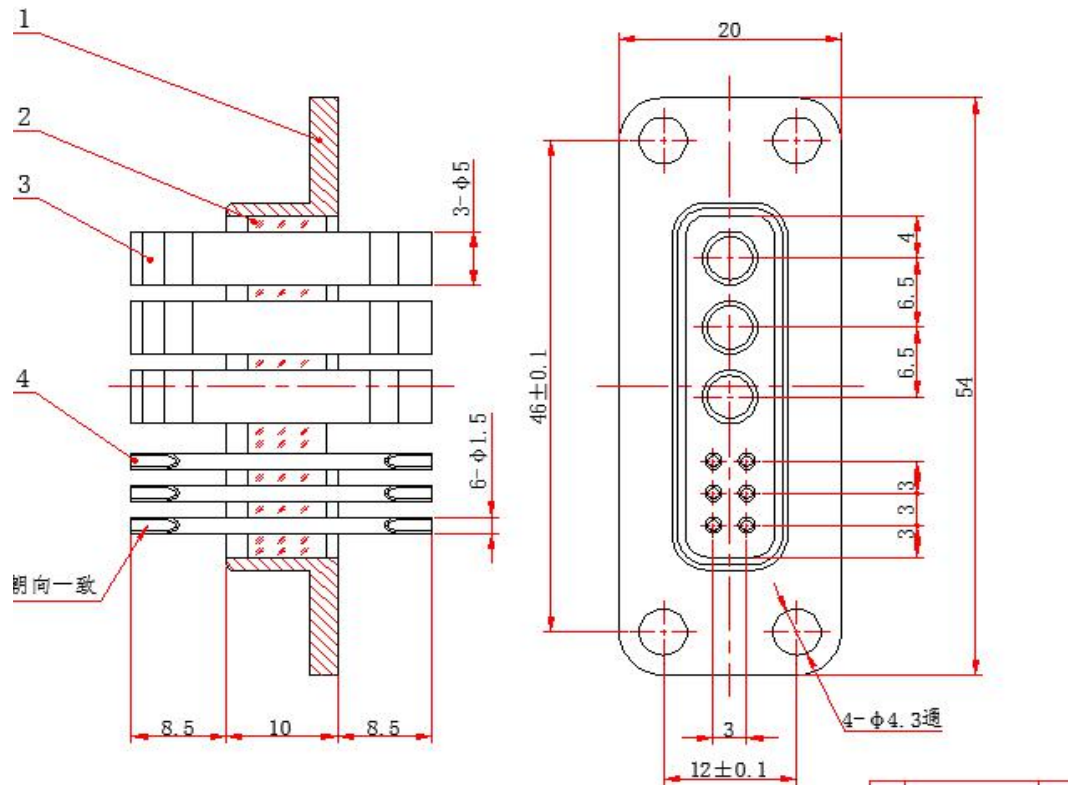
### **Application:**

For the marine industry

### Specification

Material	321,
Insulation resistance	$500V \geq 1000M \Omega$
Seal	$1 \times 10^{-9} Pa \cdot m^3/s$
Operating temperature	-55°C-300°C
Withstand pressure	5 MPa
Pin plating	gold (available)

### Drawing



Contact us

Nanjing Wotian Technology Co.,Ltd.

Website: [www.wtsensor.com](http://www.wtsensor.com)

Add: 5 Wenyong Road, Binjiang Development Zone, Nanjing, 211161, China

Sales Manager: Wuzhou Lian

Email: [lianwuzhou@wtsensorus.com](mailto:lianwuzhou@wtsensorus.com)