

## PCM300(WTR01) Universal Pressure Transmitter

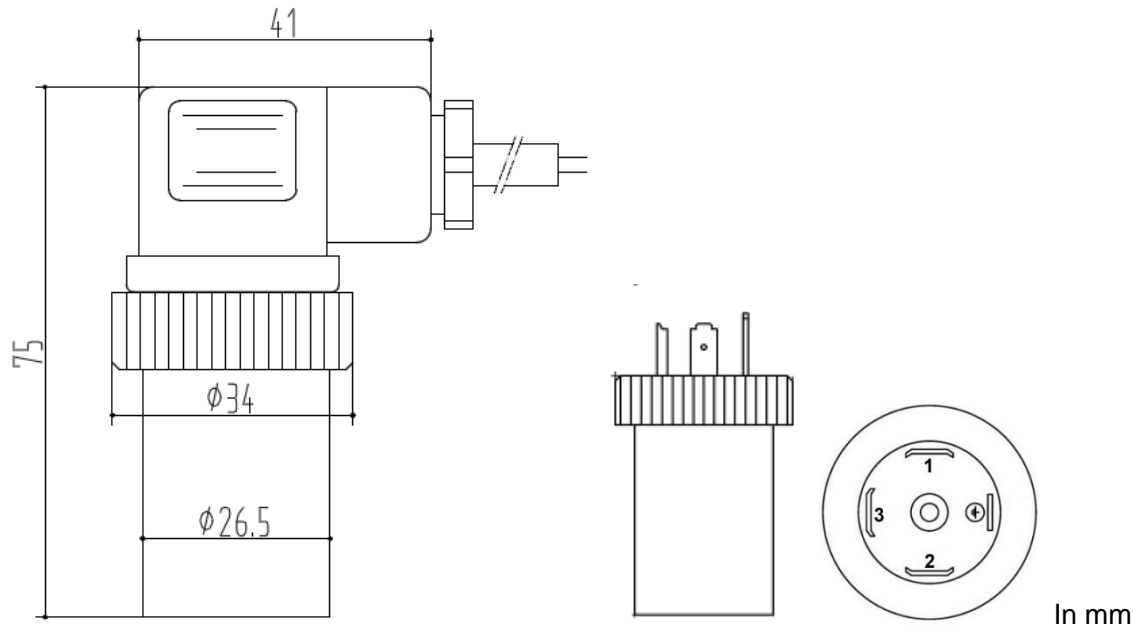


### Features

- Piezoresistive silicon chip employed
- Perfect long term stability
- MEMS Technology
- CE certificate

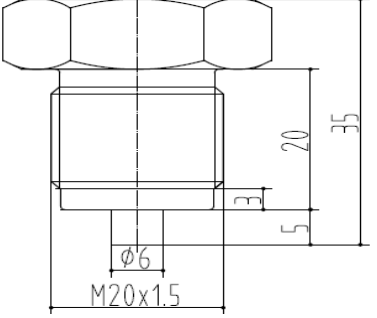
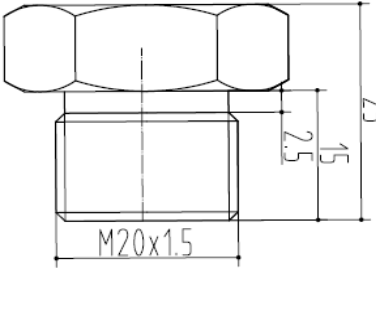
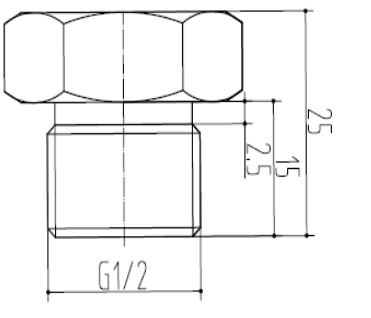
PCM300(WTR01) industrial pressure transmitter is a standard and popular transmitter applied in air and liquid pressure measuring. A high sensitivity silicon pressure chip is employed in the sensor. The most important specification for industry application is long term stability. The PCM300(WTR01) pressure transmitter is designed for industry application with perfect long term stability.

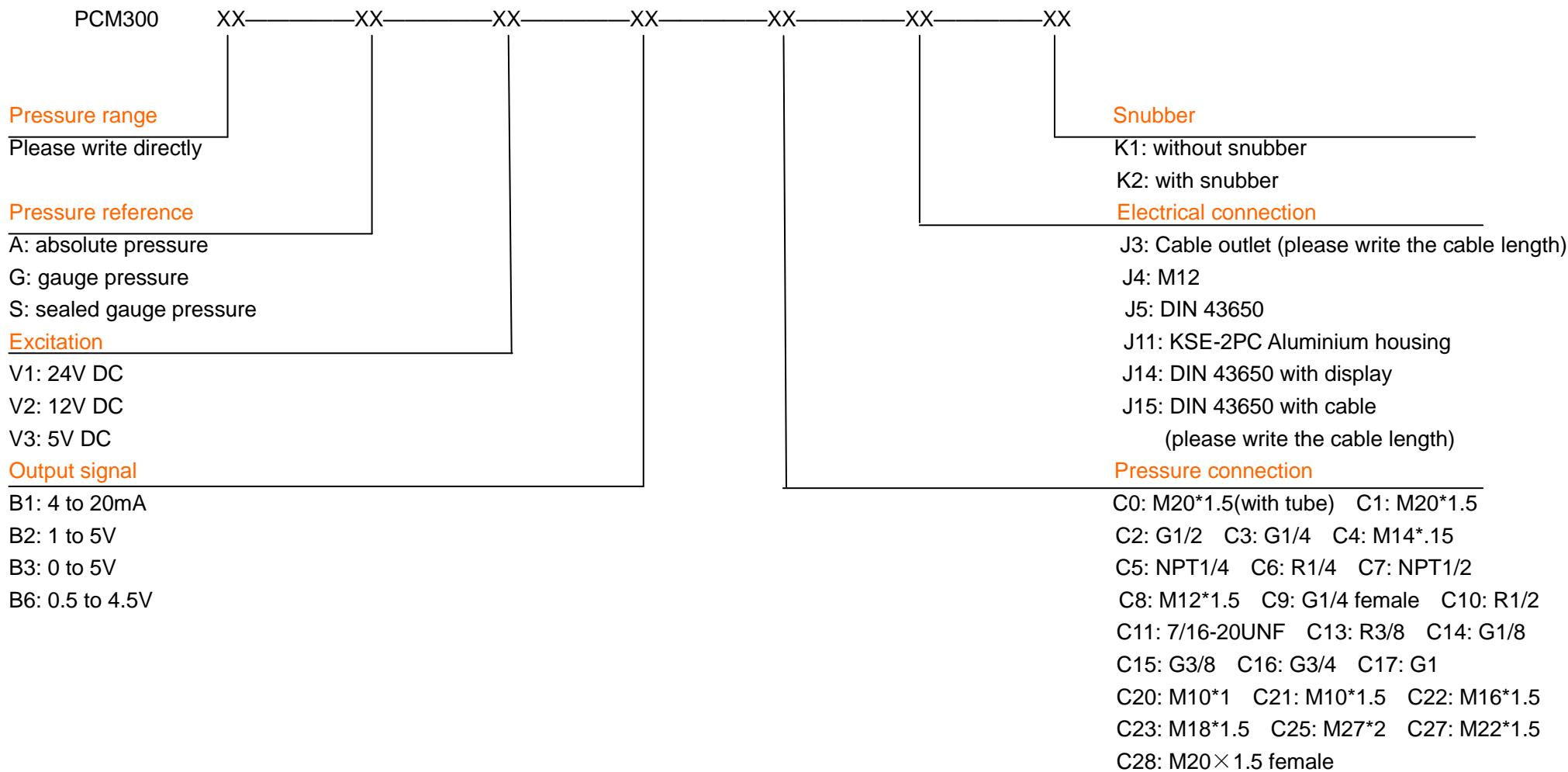
Pressure range	
Pressure range	-100kpa, 10kPa, 35kPa, 70kPa, 100kPa, 250kPa, 400kPa, 600kPa, 1MPa, 1.6MPa, 2.5MPa, 4MPa, 6MPa, 10MPa, 16MPa, 25MPa, 40MPa, 60MPa, 100MPa
Pressure reference	Gauge pressure   Absolute pressure   Sealed gauge pressure
Overpressure	300%F.S.( $\leq 70\text{kPa}$ )   200%F.S.( $< 25\text{MPa}$ )   150%F.S.( $\geq 25\text{MPa}$ )
Output signal	
Output	4 to 20mA   0.5 to 4.5V   1 to 5V   0 to 5V
Specification	
Accuracy (linearity, repeatability and hysteresis)	$\pm 0.5\%$ F.S. (Typical)
Supply	24VDC   12VDC   5VDC
Compensated temp.	-10°C -70°C   -20°C -85°C
Operating temp.	-40°C -125°C
Storage temp.	-40°C -125°C
Zero temp. coefficient	$\pm 1.5\%$ F.S.max. (@-20°C -85°C)
Span temp. coefficient	$\pm 1.5\%$ F.S.max. (@-20°C -85°C)
Pressure connection	See "how to order"
Protection	IP65
Housing material	Stainless steel 304 (316L for sensor inside)
Housing diameter	$\varnothing 26.5$ mm
Long-term Stability	$\leq 0.2\%$ F.S./year
Weight	180g(approx.)



Hirschmann connection		
2 wire	Pin 1	Excitation+
	Pin 2	Output+
	Pin 3	Pending
3 wire	Pin 1	Excitation+
	Pin 2	Excitation-
	Pin 3	Output+

Pressure port

Thread	M20*1.5	M20*1.5	G1/2
Dimension in mm Hex 27mm			
Code	C0(with tube)	C1	C2





---

Wotian reserves the right to make any change in this publication without notice. The information provided is believed to be accurate and reliable as of this product sheet.

**Contact us**

Nanjing Wotian Technology Co., Ltd.

Add: 5 Wenyang Road, Binjiang Development Zone, Nanjing, 211161, China

Sales Manager: Wuzhou Lian

MP: 0086-13998828452

Email: [lianwuzhou@wtsensor.com](mailto:lianwuzhou@wtsensor.com)